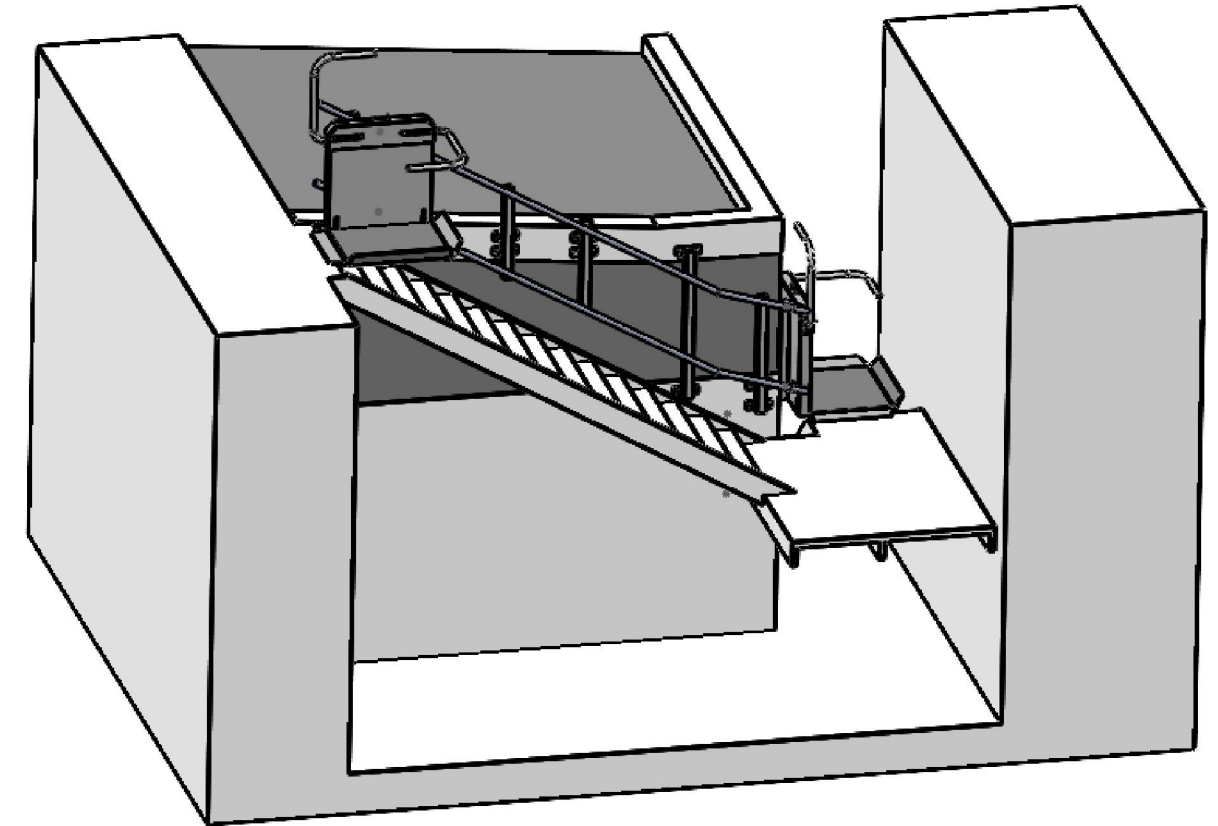
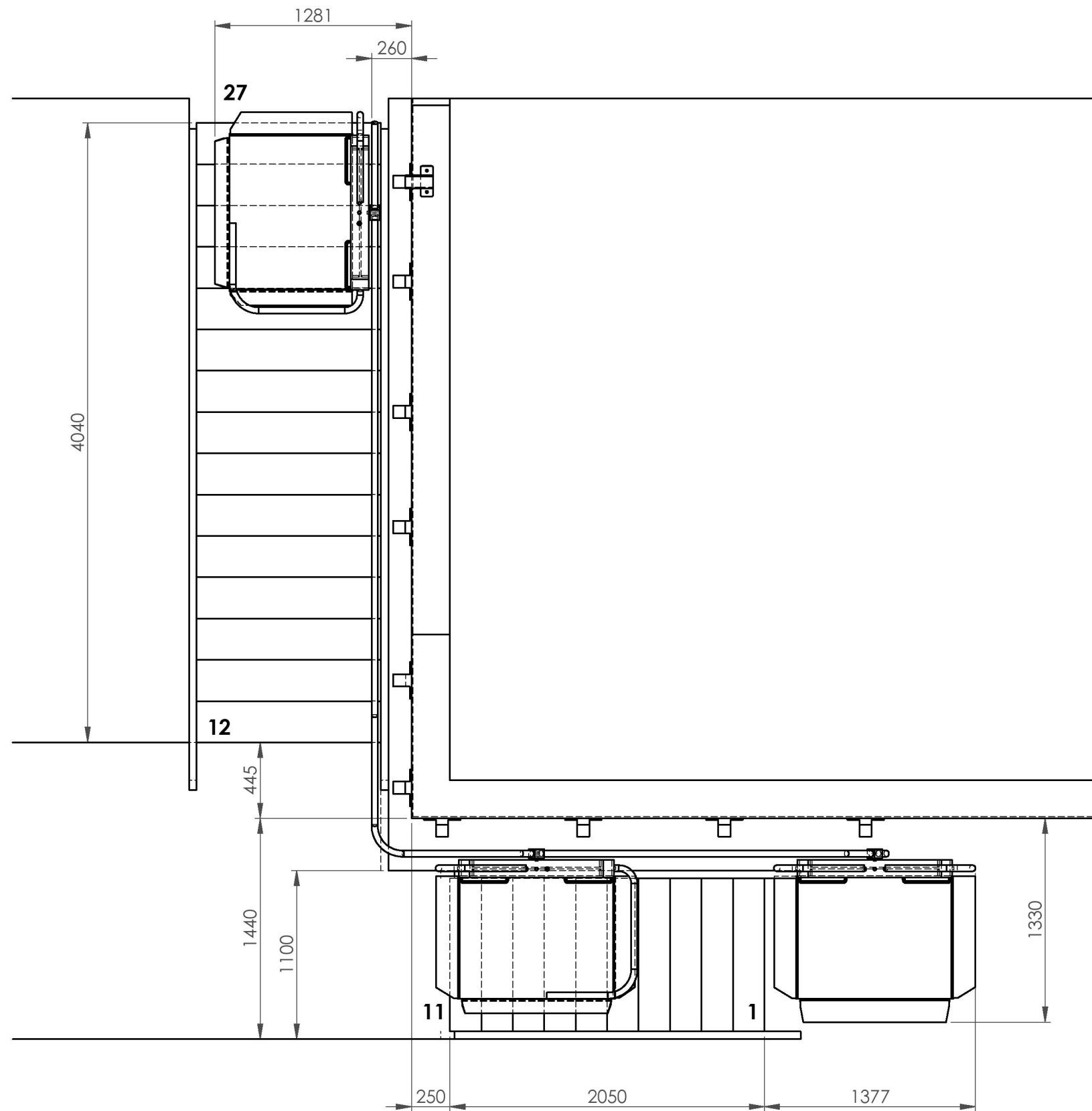


Attention!
 As safety contact by electricity you have to lay an additional protective concluding cable from the lower or upper end of the track to the potential of the building. This cable is additional to the separately protected power line connection.
 The cross section for indoor installation is 6qmm and for outdoor installation min. 10qmm. This affects also DC running lifts and separate stanchions for outer controls.
 The installation has to be done before the mounting begins.

Please abide: The location of the supports are only a recommendation of the producer.
 Tolerance could be possible because of the local situation!



head clearance measured from the end of platform to the ceiling :
 max angle of track : 53,4°
 number of stops : 3
 size of platform: 800x1000mm
 power supply to the platform battery-charging at the stops
 power supply: 230V/50Hz 3x1,5^2 / protection 10amp.
 customer :
 adress:

				Maßstab: 1:33		ABA			
				Type : T80RE-P6-C1					
				Comm.: 20567-2		Comm.: T3267			
						Blatt			
						Bl.			
Zust.	Änderung	Datum	Name						