

8

7

6

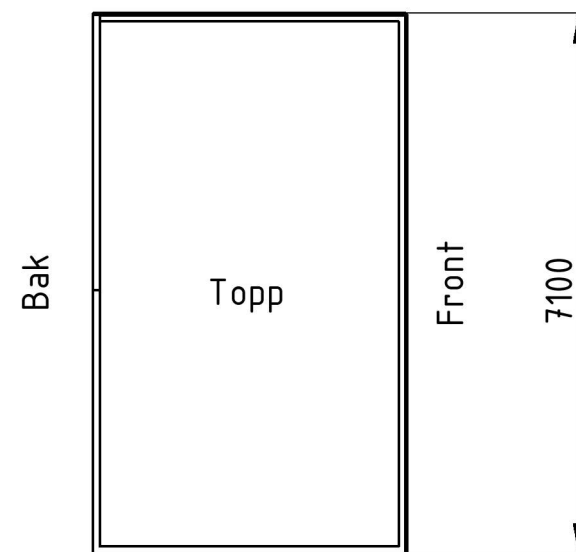
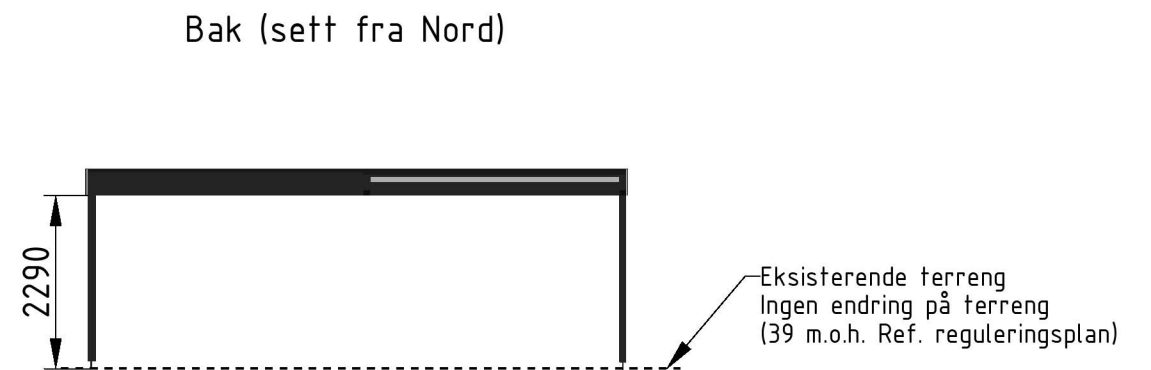
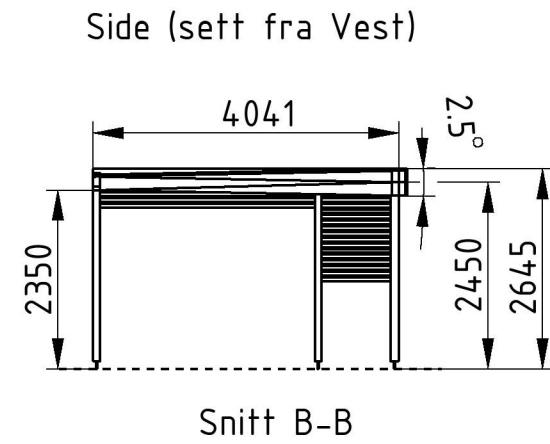
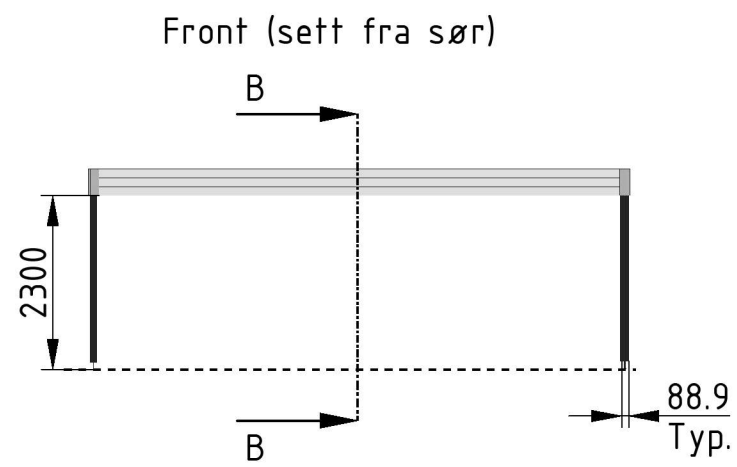
5

4

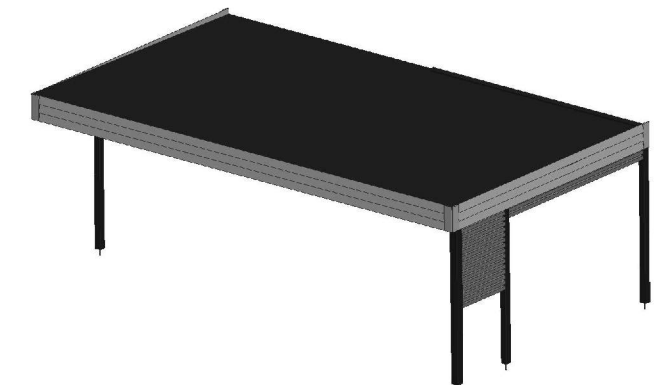
3

2

1



Isometrisk riss



Målestokk: 1:100

Alle mål i millimeter med mindre annet er vist

Dim & tolerance			Permissible deviations for dimensions without a tolerance indication				Machined: Tolerance		Welded: Tolerance		Item	Qty	Id. no	Description	Drg. no./Type			Material	
Upper limit	Lower limit		Linear dimension or shortest leg of an angle	linear	angle	linear	angle	linear	angle	This drawing is our property. It is not to be traced, copied or published without our written consent, nor to be misused in any way.			Status	Sign.	Date	FRAMO an Alfa Laval brand			
over	to									1:100			Constr.	S.EKNES	12-May-23	Carport Snittegning			
Permissible deviations for dimensions with a tolerance indication			6	30	± 0,1	± 0,5°							Drawn by	S.EKNES	12-May-23	Replaces:			
Surface roughness in Ra (µm)			30	120	± 0,3	± 0,4°							Checked	K.H.EKNES	12-May-23	SNITTEGNING			
Fill. & edg. not dim.			120	315	± 0,5	± 0,3°	± 1,5						Prot.rel.			Replaced by:			
Fillefs			315	1000	± 0,8		± 2	± 0,5°					Prod.rel.	-	-	-			
Edges			1000	2000	± 1,2		± 3												
			2000	4000	± 2	± 0,2°	± 4	± 0,3°											
			4000	8000	± 3		± 5												
										R.	Zone	R.O.no.	Sign./Date	Ctrl	Project. used	Original Scale			