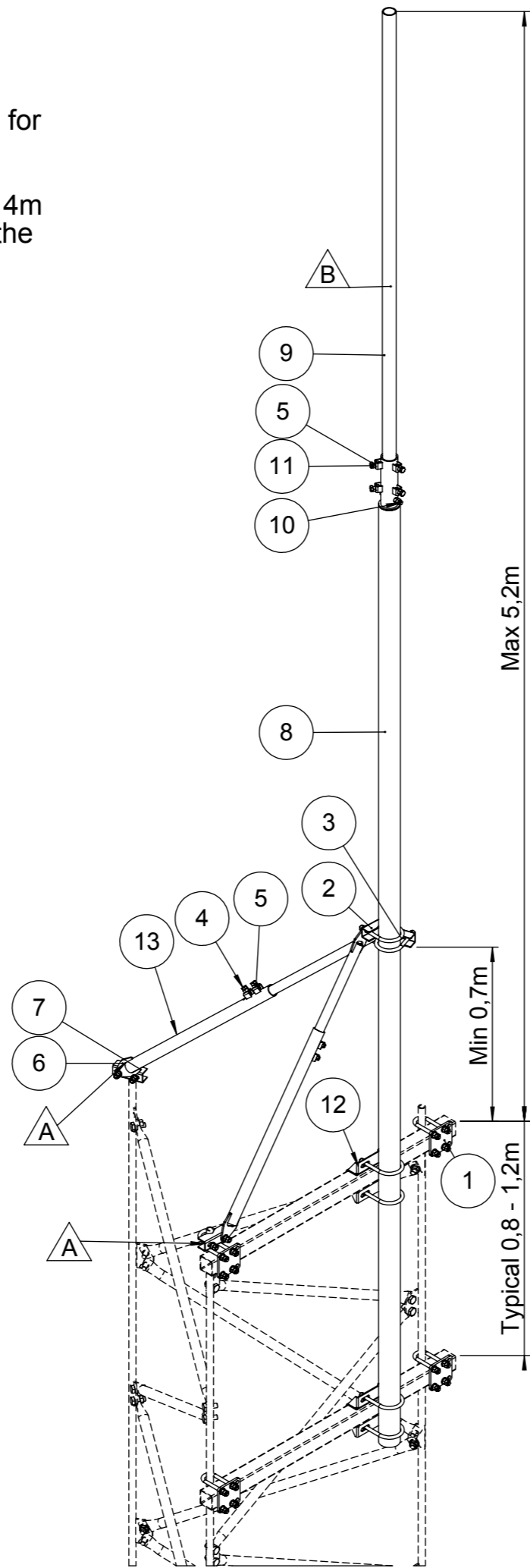


# Lightning protector kit

Fits frame leg  $\varnothing$  25-35mm  
 Box beams 50x50x5mm are to be used

An angle of 45 degrees are to be strived for on the supporting struts

If the height above mast top is less than 4m the supporting struts is not needed and the 76mm tube need to be shortened in the bottom



REVISIONS				
ZONE	REV.	DESCRIPTION	DATE	APPROVED
	A	Changed from clamp to clamp solution to clam/U-bolt solution	2013-08-08	JW
	B	Changed type of lightning rod	2013-11-19	JW

ITEM NO.	QTY.	Description	Article No.
1	2	Mast knot kit for box beams	36650
2	2	Clamp C-C92mm FZV	3396
3	2	U-bolt M12 C-C 92mm, Nuts and washers	2801-1
4	4	Bolt M6S M12x40H 8.8 FZV	9465
5	18	Nut M12 8.8 FZV ISO	9293
6	2	Clamp C-C62-76mm t=4mm FZV	2410
7	2	Bag with U-bolt M12 CC-62 A4 Nut & washer	3380-1
8	1	Tube with top joint D=76,1mm; L=4m	91071
9	1	Tube 48,3x3,25 L = 2000 mm	gt483325-20
10	1	Screw M6S M12x90H 8.8 FZV	9770
11	4	Bolt M6S M12x50 8.8 FZV	9712
12	2	Square section Mount kit 60x60mm C-C 76-130mm	40904
13	1	Telescopic strut support short	232815

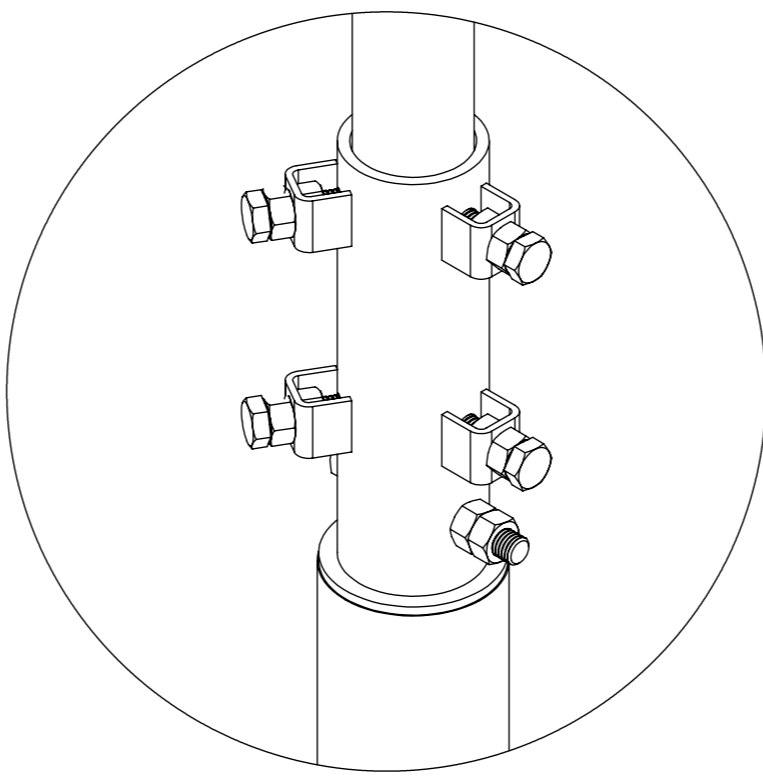
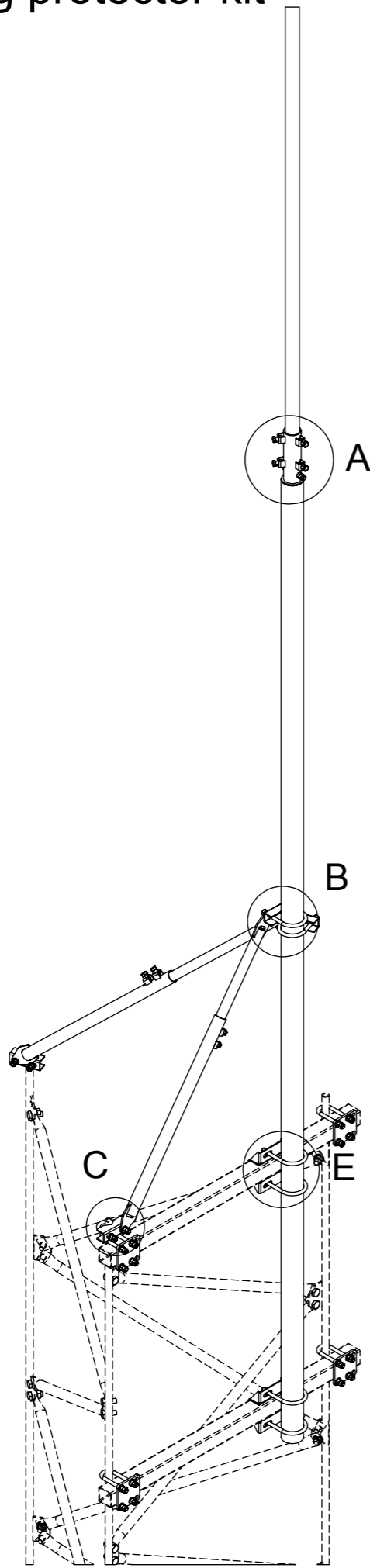
Design by <b>JW</b>	Drawn by <b>JW</b>	Copied	Checked -	Standard	Affirmed -	Scale <b>1:20</b>	Replace	Replaced by
							File <b>454</b>	Date 2013-05-15
Addr: Orjasvägen 4, Box 275, SE 792 24 MORA, SWEDEN Phone: +46 250-381 60 E-Mail: monopod@mafi.se Fax: +46 250-381 84 Internet: www.mafi.se							Drawing no. <b>454</b>	<b>B</b>

THIS DRAWING AND ALL APPURTENANT MATTER SHALL REMAIN THE PROPERTY OF MAFI AB. ANY REPRODUCTION, EITHER IN ORIGINAL STATE OR WITH ANY CHANGES BE COPIED OR MANIPULATED, WITHOUT OUR WRITTEN PERMISSION, IS STRICTLY PROHIBITED. ANY USE OF THIS DRAWING FOR ANY OTHER PURPOSE THAN THAT FOR WHICH IT WAS INTENDED, WITHOUT OUR WRITTEN PERMISSION, IS STRICTLY PROHIBITED. ANY REPRODUCTION, EITHER IN ORIGINAL STATE OR WITH ANY CHANGES BE COPIED OR MANIPULATED, WITHOUT OUR WRITTEN PERMISSION, IS STRICTLY PROHIBITED. ANY USE OF THIS DRAWING FOR ANY OTHER PURPOSE THAN THAT FOR WHICH IT WAS INTENDED, WITHOUT OUR WRITTEN PERMISSION, IS STRICTLY PROHIBITED.

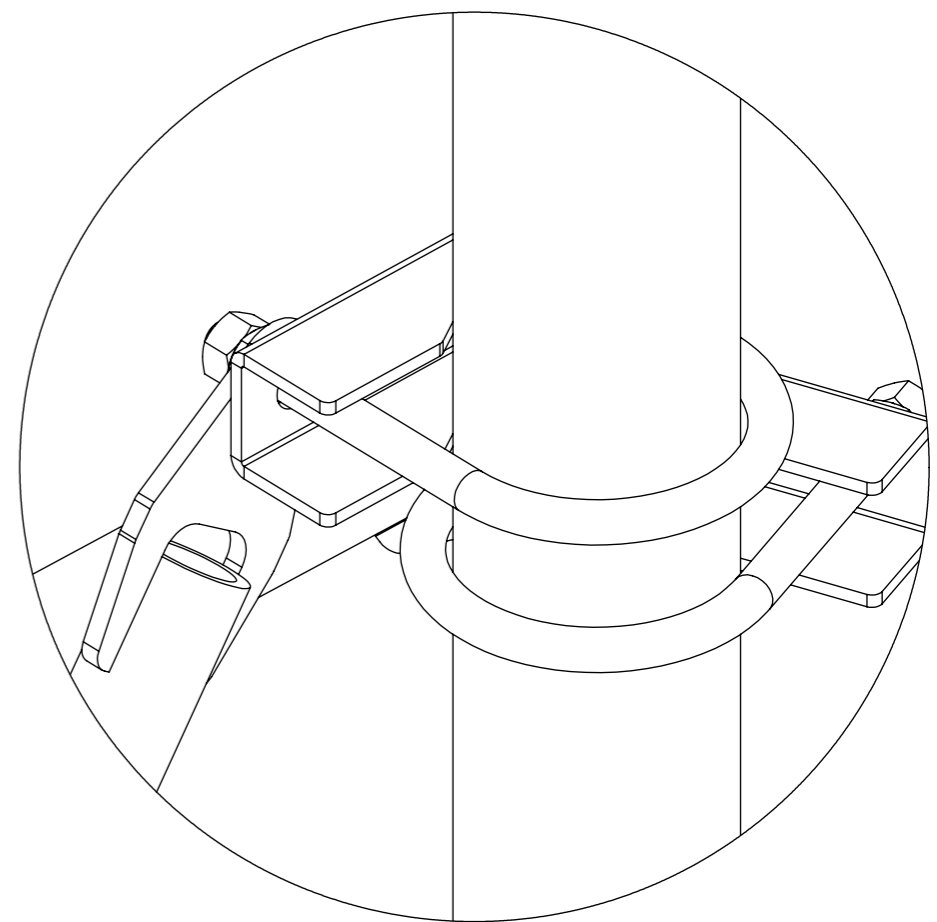
TOLERANCE  
 ISO 2768-C  
 SHARP EDGES BREAKES

# Lightening protector kit

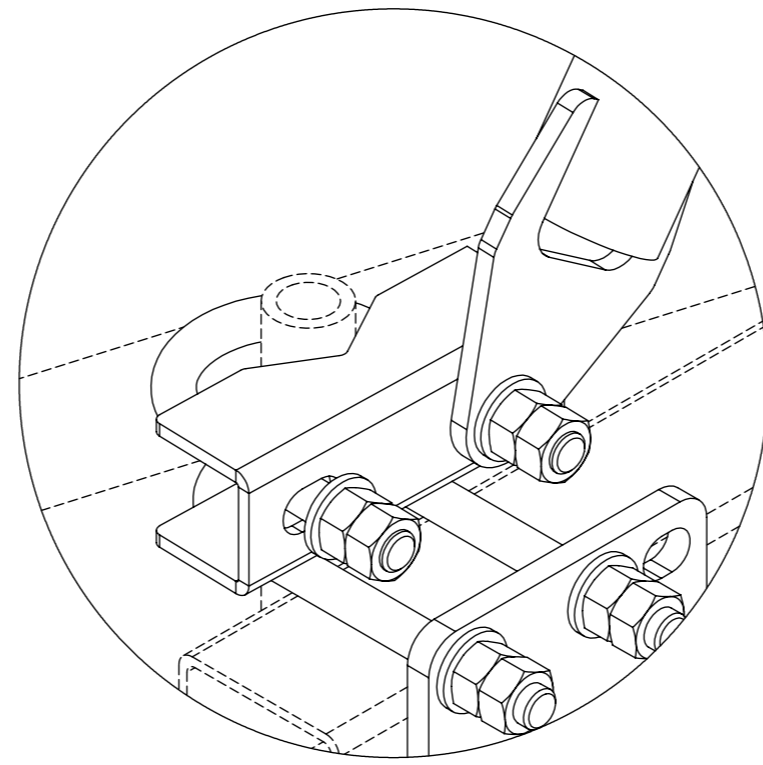
THIS DRAWING AND ALL APPURTENANT MATTER SHALL REMAIN THE PROPERTY OF MAFI AB. THE COMPANY MAFI AB'S PROPERTY. THEY SHALL NOT BE REPRODUCED OR TRANSMITTED IN ANY FORM OR BY ANY MEANS, ELECTRONIC OR MECHANICAL, INCLUDING PHOTOCOPYING, RECORDING, OR BY ANY INFORMATION STORAGE AND RETRIEVAL SYSTEM, WITHOUT OUR WRITTEN PERMISSION. EITHER IN THEIR ORIGINAL STATE OR WITH ANY CHANGES BE COPIED OR MANIPULATED. ANY UNAUTHORIZED REPRODUCTION OR TRANSMISSION OF THIS DRAWING TO ANY THIRD PARTY, NOT FOR USE FOR MANUFACTURING PURPOSES, WITHOUT OUR WRITTEN PERMISSION WILL LEAD TO THE INSTITUTION OF LEGAL PROCEEDINGS.



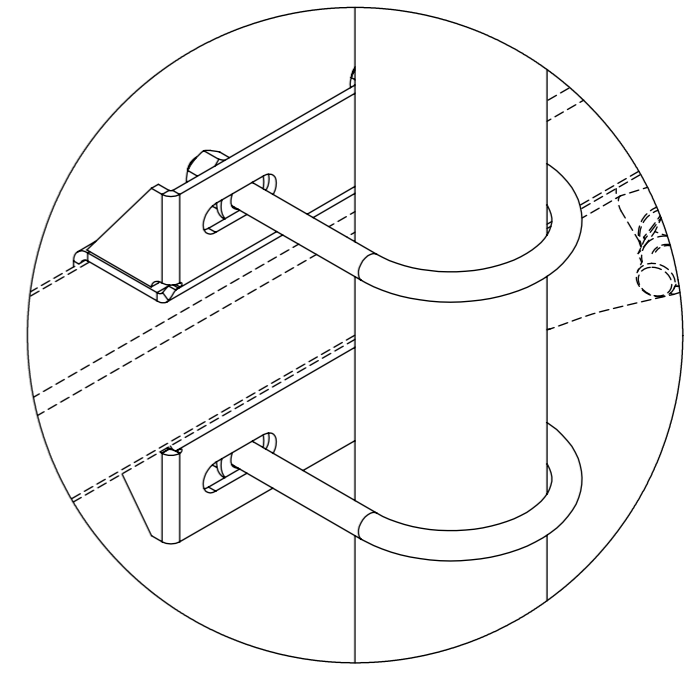
A (1 : 3)



B (1 : 2)



C (1 : 2)



E (1 : 3)

TOLERANCE  
ISO 2768-C  
SHARP EDGES BREAKES

Design by <b>JW</b>	Drawn by <b>JW</b>	Copied	Checked -	Standard	Affirmed -	Scale <b>1:20</b>	Replace	Replaced by
<b>MAFI</b> Addr: Örjasvägen 4, Box 275, SE 792 24 MORA, SWEDEN Phone: +46 250-381 60 E-Mail: <a href="mailto:monopod@mafi.se">monopod@mafi.se</a> Fax: +46 250-381 84 Internet: <a href="http://www.mafi.se">www.mafi.se</a>							File <b>454</b>	Date 2013-05-15
							Drawing no. <b>454</b>	<b>B</b>