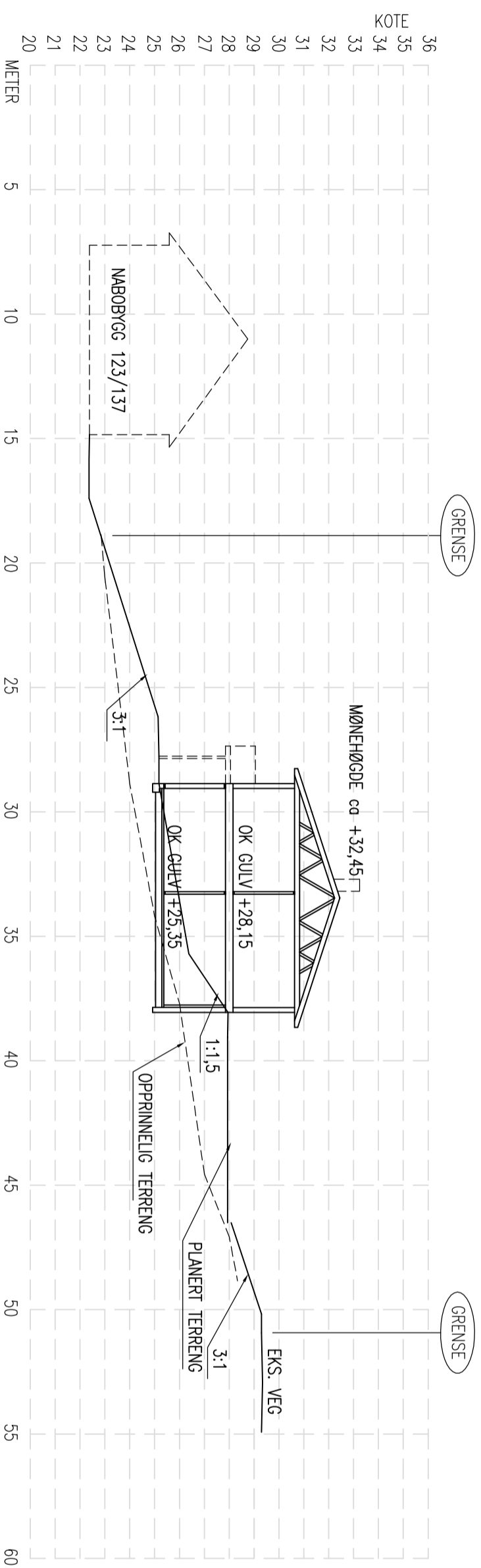


TERRENGPROFIL A-A



TERRENGPROFIL B-B

REV.	DESCRIPTION	DATE/SIGN
D	KORRIGERING KOTEHØGDER	02.05.18/PKT
B	VISER NABO BYGG	09.04.18/LAH
A	HØYDE BYGG ENDRET	25.08.17/LAH
<p>NOTE!</p> <p>* PART OF DRAWING MAY NOT BE SHOWN IN SCALE</p> <p>* DO NOT TAKE MEASURES ON DRAWING</p> <p>* ONLY RELAY ON GIVE DIMENSIONS</p>		<p>ACCORDING TO INTERNATIONAL LAWS, THIS DRAWING IS THE PROPERTY OF ARKOCONSULT AS. THE DRAWING CAN NOT BE USED, MADE PUBLIC OR HANDED OVER TO A THIRD PART WITHOUT OUR WRITTEN CONSENT. ANY INFRINGEMENT WILL LEAD TO LEGAL PROCEEDINGS.</p>
<p>BOLIG & EIENDOM AS</p> <p>RISASJØEN, 123/102</p> <p>TERRENGPROFIL A-A</p> <p>OG B-B</p>		<p>REVISION/DATE: C/02.05.18</p> <p>PROJECT NO.: 2014102</p> <p>DRAWING NO.: 20714102A11</p>
<p>ARKOCONSULT AS, Postboks 103, 5291 Volestf., Tel.: 56390003 – Fax: 56191130 – Mob.: 93241511 Mail: post@arkoconsult.no – Org.nr.: 997089782 MVA</p>		<p>SCALE: 1:200</p> <p>FORMAT: A2</p> <p>DRAWN: LAH</p> <p>DATE: 28.10.15</p> <p>CHECKED: DATE:</p>