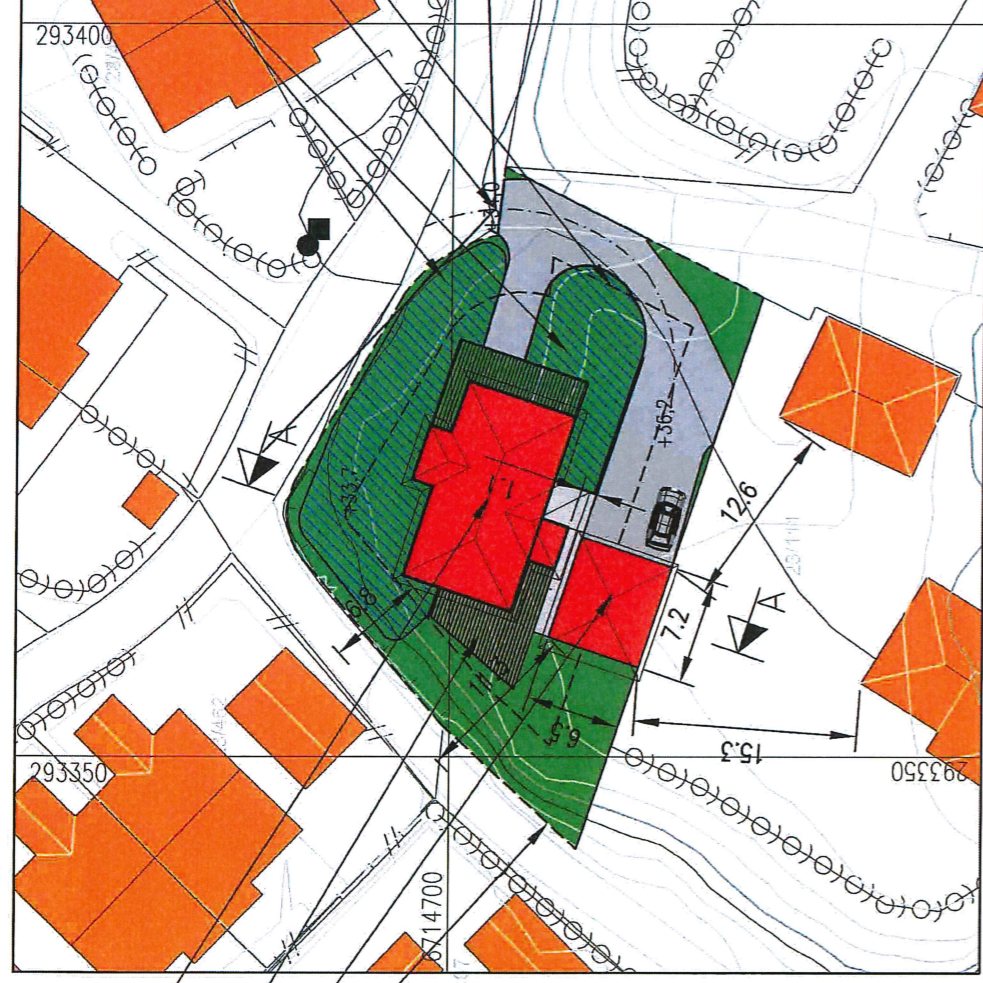


MELAND KOMMUNE

Godtceke 3-6-15Saksnr. 14/4741Sakshandsamar e.f. TJkUTEOPPHOLDSAREAL, TOTALT INKL.
TERRASSE 264 m²

FRISIKT 4X20 METER

BYGGEGRENSE 4 M



EKSISTERENDE ENEBOLIG

NY TERRASSEPLATNING PÅ MARK

NY GARASJE

TOMTEGRENSE

SITUASJONSPLAN

GNR 23, BNR 524 og 525, MELAND KOMMUNE

NY GARASJE

OK GULV GARASJE ca + 36,2

FOR TERRENGPROFIL A-A SE TEGN.NR. 30913015A06

REV	DESCRIPTION	DATE/SIGN
A	VALMET TAK GARASJE	10.02.15/LAH

NOTE:

- * PART OF DRAWING MAY NOT BE SHOWN IN SCALE
- * DO NOT TAKE MEASURES ON DRAWING
- * ONLY RELAY ON GIVE DIMENSIONS

ACCORDING TO INTERNATIONAL LAWS, THIS DRAWING IS THE PROPERTY OF ARKOCONSULT AS. THE DRAWING CAN NOT BE USED, MADE PUBLIC OR HANDED OVER TO A THIRD PART WITHOUT OUR WRITTEN CONSENT. ANY INFRINGEMENT WILL LEAD TO LEGAL PROCEEDINGS.

REVISION/DATE: A/10.02.15

PROJECT NO.: 2013227

DRAWING NO.:

30913015A05

ARKOCONSULT AS, Postboks 103, 5291 Valest.f.
Tel.: 56390003 – Fax.: 56191130 – Mob.: 93241511
Mail: post@arkoconsult.no – Org.nr.: 997089782 MVA

SCALE: 1:500

FORMAT: A3

DRAWN: LAH

DATE: 10.11.14

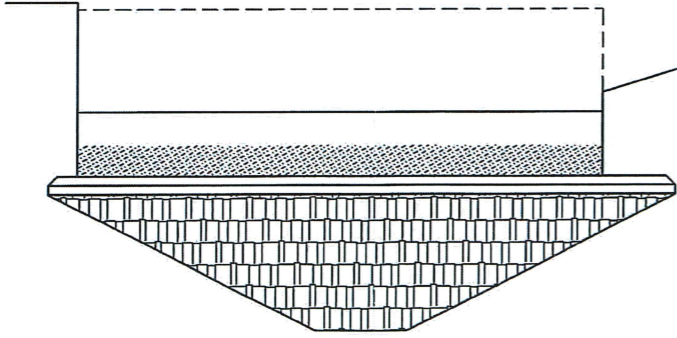
CHECKED:

DATE:

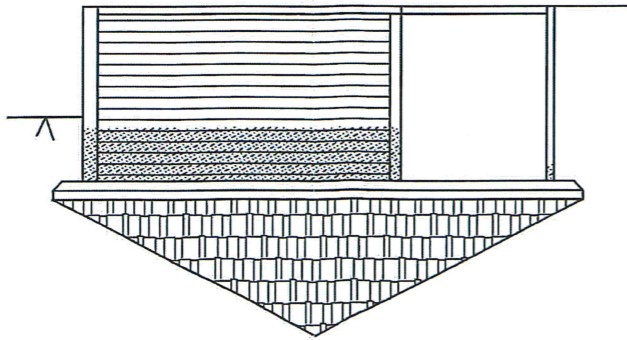
PKT	DATE: 06.03.15	ARKOCONSULT AS, Postboks 103, 5291 Valesf., Tlf.: 56390003 - Fax: 56191130 - Mob: 93241511 Mail: post@arkoconsult.no - Org.nr.: 997089782 MVA
LAH	DATE: 29.10.14	ARKOCONSULT AS, Postboks 103, 5291 Valesf., Tlf.: 56390003 - Fax: 56191130 - Mob: 93241511 Mail: post@arkoconsult.no - Org.nr.: 997089782 MVA
SCALE: 1:100	FORMAT: A3	ARKOCONSULT AS, Postboks 103, 5291 Valesf., Tlf.: 56390003 - Fax: 56191130 - Mob: 93241511 Mail: post@arkoconsult.no - Org.nr.: 997089782 MVA
DRAWING NO.: 30913015A22		PLAN, SNITT OG FASADER
PROJECT NO.: 2013227		FM EIGEDOM, GARASJE GNR.23/524 OG 525, FREKKHAUG
REVISION/DATE: A/10.02.15		10.02.15/LAH
ACCORDING TO INTERNATIONAL LAWS, THIS DRAWING IS THE PROPERTY OF ARKOCONSULT AS. THE DRAWING CAN NOT BE USED, MADE PUBLIC OR HANDED OVER TO A THIRD PARTY WITHOUT OUR WRITTEN CONSENT. ANY INFRINGEMENT WILL LEAD TO LEGAL PROCEEDINGS.		NOTE: * PART OF DRAWING MAY NOT BE SHOWN IN SCALE * DO NOT TAKE MEASURES ON DRAWING * ONLY RELAY ON GIVE DIMENSIONS
VALM TAK GARASJE REV. DESCRIPTION A		DATE/SIGN

NBI GARASJE MÅ TILPASSES EKISTERENDE HUS PÅ STEDET.
 TAKUTSTIKK GARASJE MOT ØST SKAL FLUKTE MED YTTERVEGG BOD
 PÅ EKISTERENDE HUS.

FASADE SØR

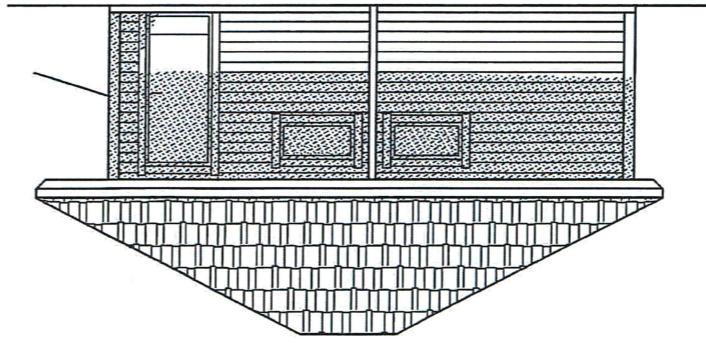


FASADE VEST

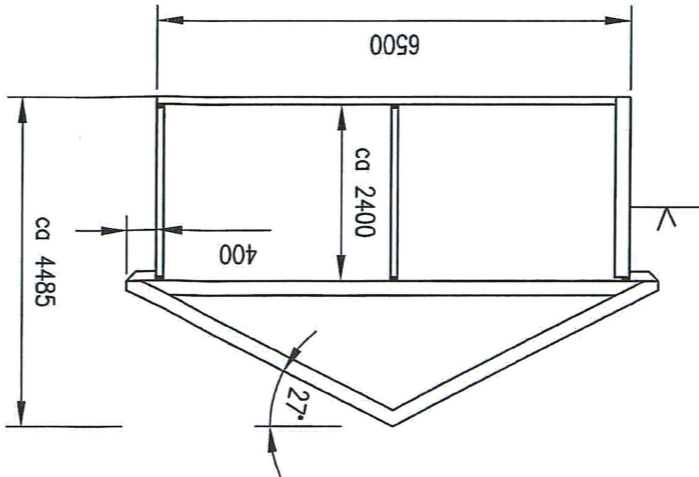


MELAND KOMMUNE
 Godteke 3-6-15
 Saksnr. 14/4741
 Sakshandsamar e.f. TJE

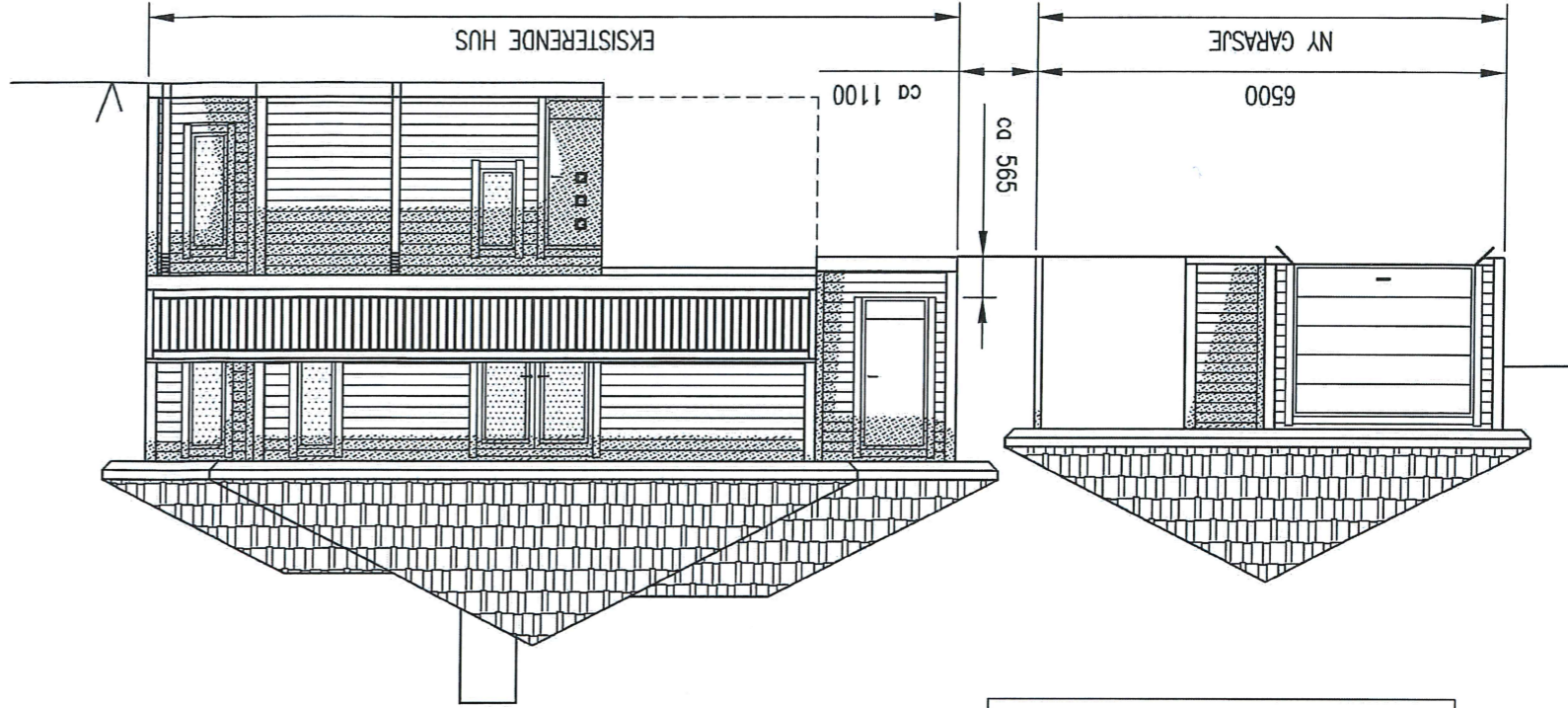
FASADE NORD



TYPISK SNITT

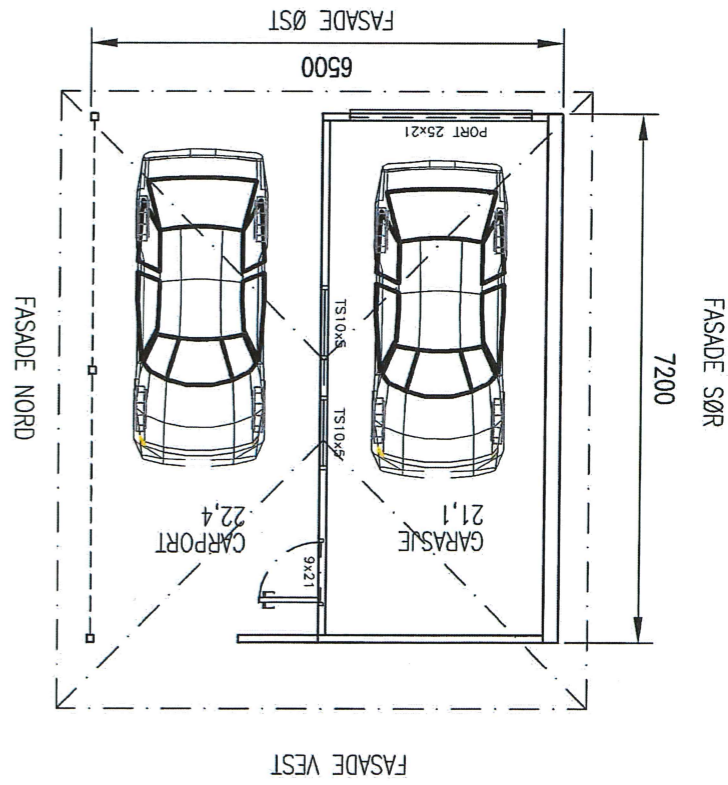



FASADE ØST



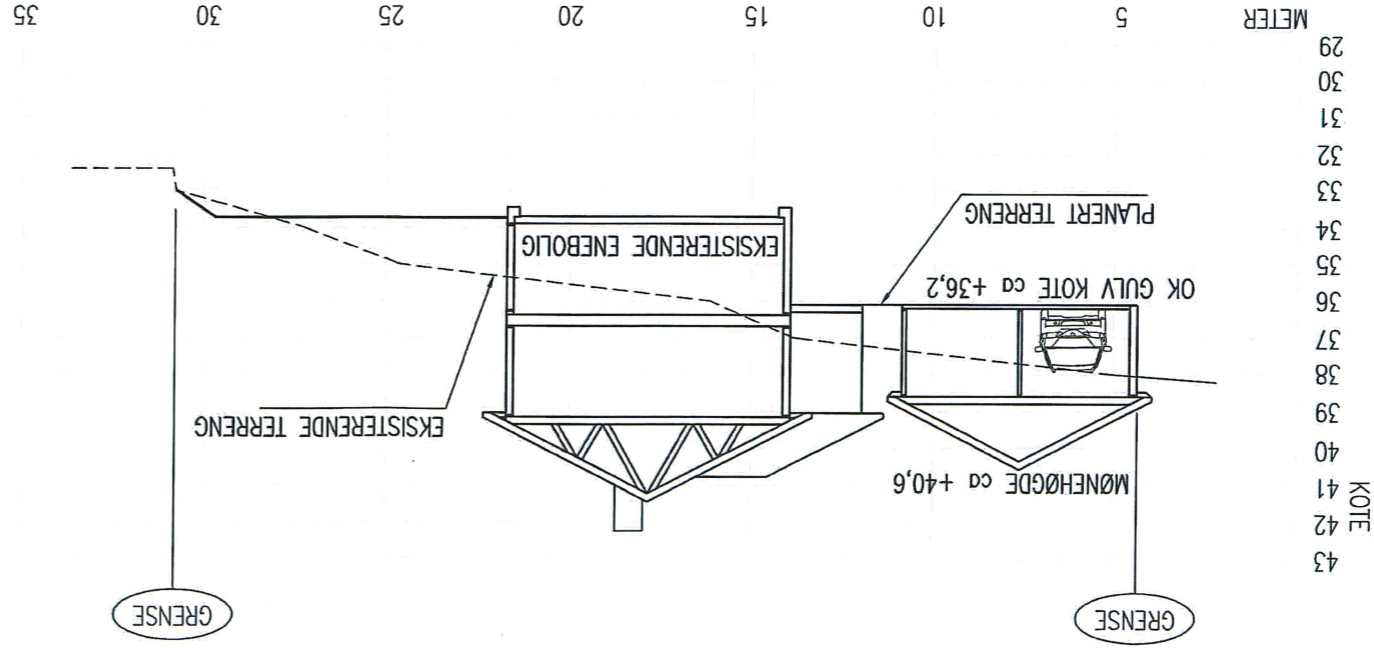
BRA GARASJE/CARPORT: 43,5 M2
 BYA GARASJE: 46,8 M2

PLAN



NOTE!	10.02.15/LAH	DATE/SIGN
* PART OF DRAWING MAY NOT BE SHOWN IN SCALE * DO NOT TAKE MEASURES ON DRAWING * ONLY RELAY ON GIVE DIMENSIONS		
FM EIGEDOM, NY GARASJE GNR.23/524 OG 525, FREKHAUG		
TERRENGPROFIL A-A		
DRAWING NO.: 30913015A06		
REVISION/DATE: A/10.02.15	PROJECT NO.: 2013227	
SCALE: 1:200	DRAWN: LAH	CHECKED: DATE: 10.11.14
FORMAT: A3		
ARKONCONSULT AS, Postboks 103, 5291 Valesfj. Tel.: 56390003 - Fax.: 56191130 - Mob.: 93241511 Mail: post@arkonconsult.no - Org.nr.: 997089782 MVA 		
A VALMET TAK GARASJE REV. DESCRIPTION		

TERRENGPROFIL A-A



MELAND KOMMUNE
 Godteke 3-6-15
 Saksnr. 14/4741
 Sakshandsamar e.f. TJE