

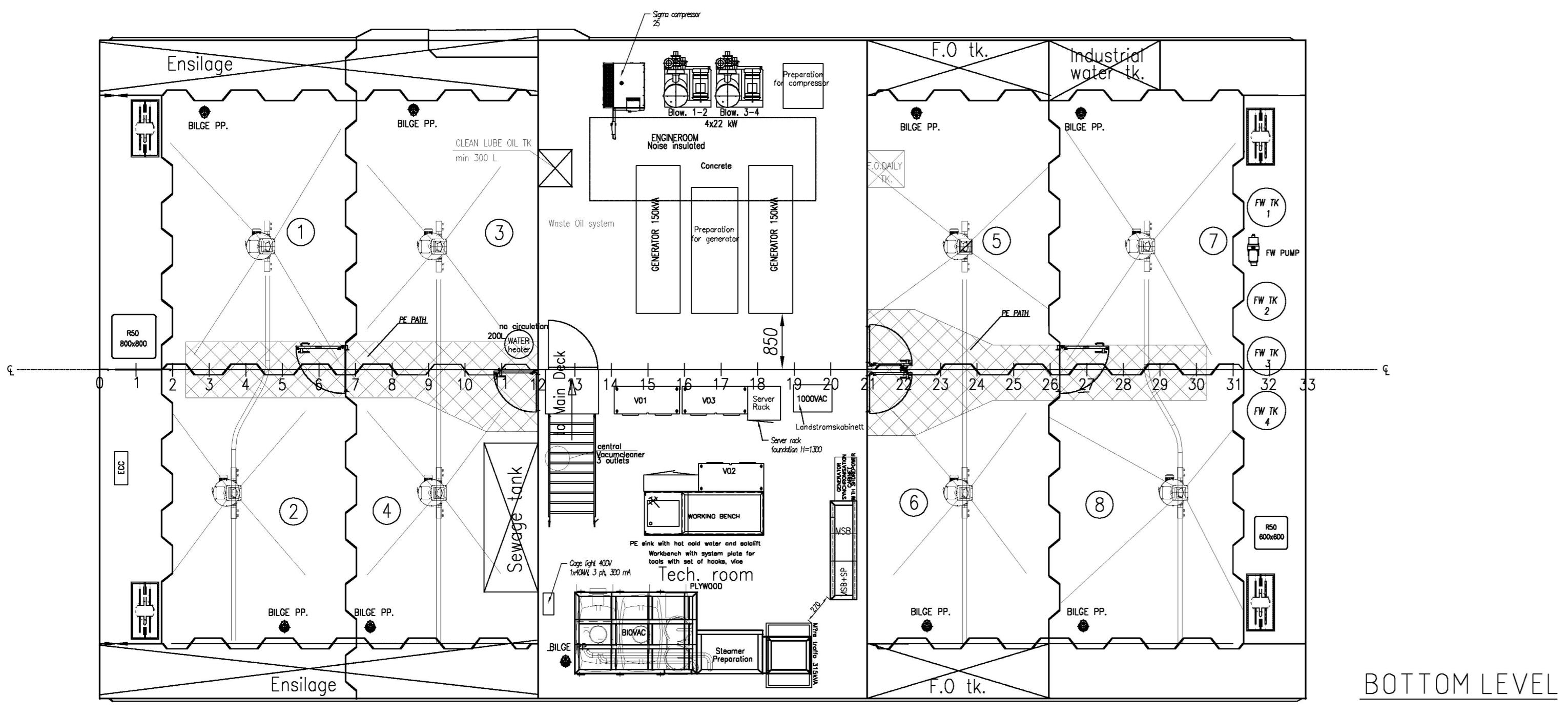
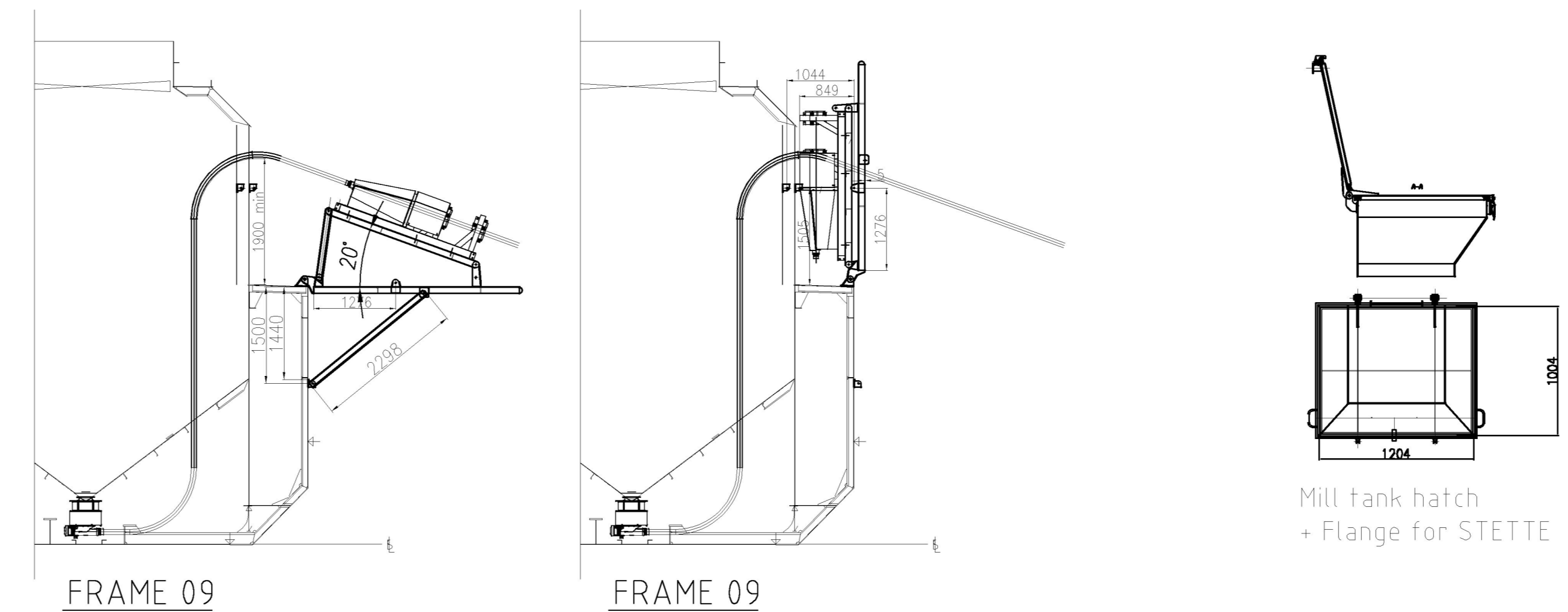
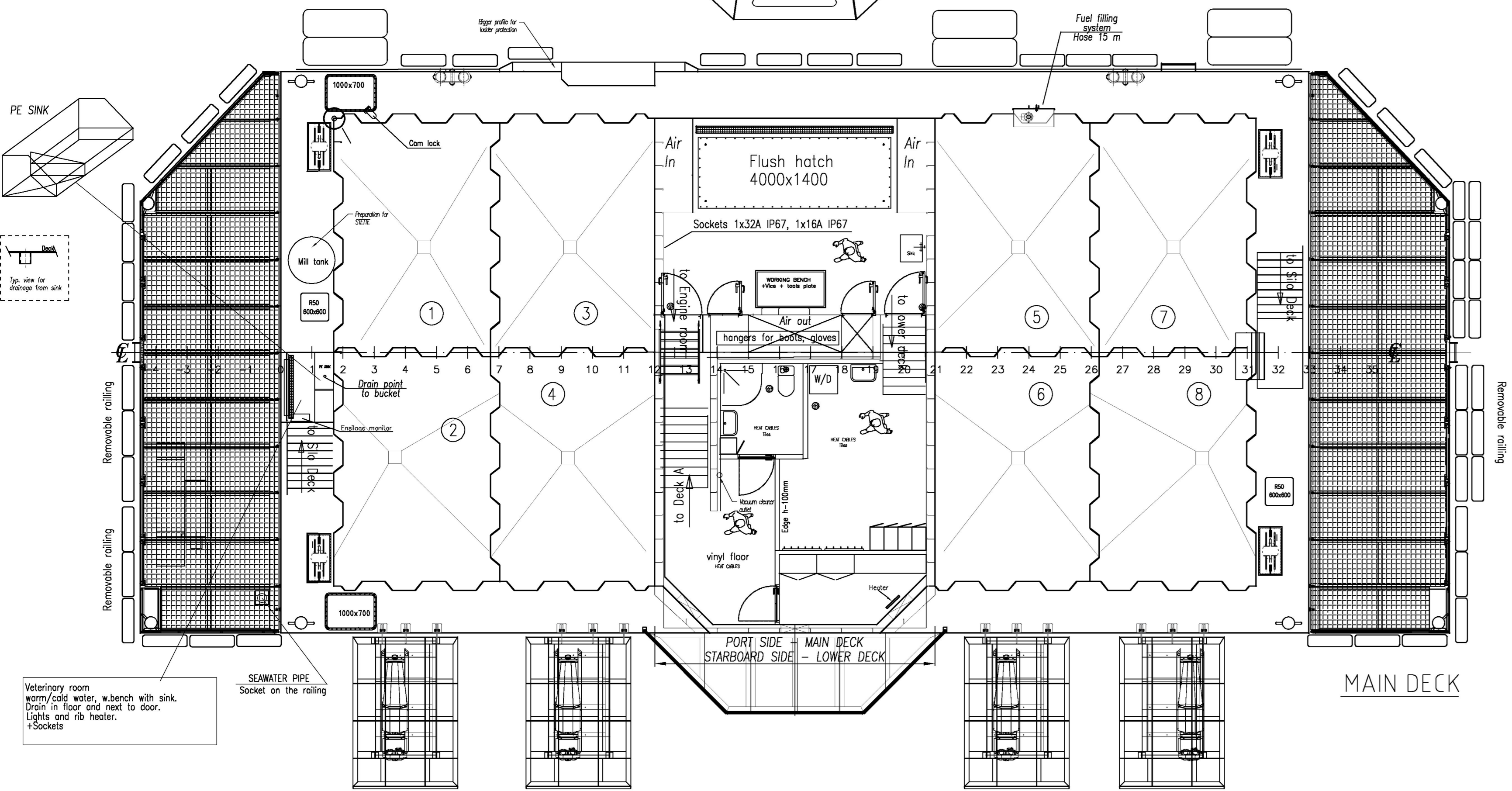
**WaveMaster
AC 450 Comfort**

PRINCIPAL DATA

LOA	26,00 m
Total length (ex. grating)	22,00 m
Breadth	12,00 m
Depth	4,00 m
Min Free board Normal mooring	1,074 m

CAPACITIES

FUEL OIL	approx. 2x11	m ³
FRESH WATER	4x7.85	m ³
ENSILAGE TK (available volume)	approx. 2x27,6	m ³
SILO VOLUME (cca 8x52.3 tonnes)	8x80.5	m ³
SEWAGE	1x3,42	m ³
INDUSTRIAL WATER	1x7.9	m ³



AS-BUILT

Rev.	Reason for issue	Date	Drawn	Checked	Approved
B	Added dinosaur and platform for restainer	24.01.18	K.K.		
A	Added sink in garage, compressor marked as preparation	17.01.18	K.K.		

Rev.	Date	Drawn	Checked	Approved
B	03.01.18			

Changed by
MARKETEX MARINE OÜ
Kopli 103
11712 Tallinn
Tlf.: +372 610 25 35
Fax.: +372 610 20 75
E-mail: marketex@bar.ee

Drawing no.: 150759-01
Title: AKVA CENTRE 450 C
General Arrangement

Rev. B Date 03.01.18
Sheet 1 of 1 Project 150759

2	Compressor added, accommodation changed	24.10.2017	JA	KV	KV
1	Updates on the contract, see magenta clouds	22.09.2017	L.PETK	KV	KV

Rev.	Date	Name	Drawn	Checked	Approved
	05.07.2017	JA			

**AC450C
General Arrangement
150759**

CUSTOMER:	PROJECT TYPE:	PROJECT NAME:	YARD:	YARD No:	Form:
AKVA GROUP	AC450C	BLOM			A1

IMD: XM DRAWING NO.: YARD DRAWING NO.: IG101-2

ISSUE: 2 SCALE: 1:1

All rights reserved by AKVA group ASA. This drawing cannot be circulated, copied or modified without prior written authorization of AKVA group ASA.

Sheet No. of Sheets: 1 of 1