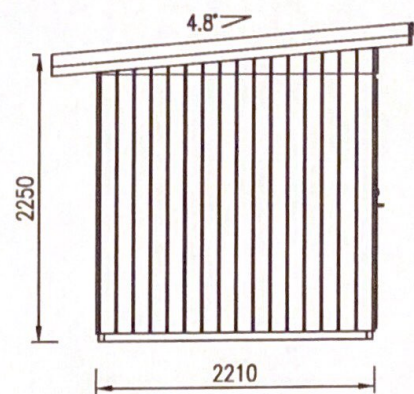
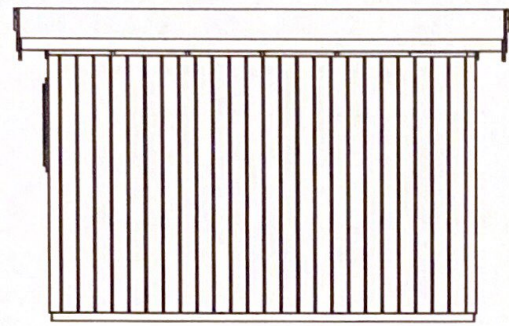


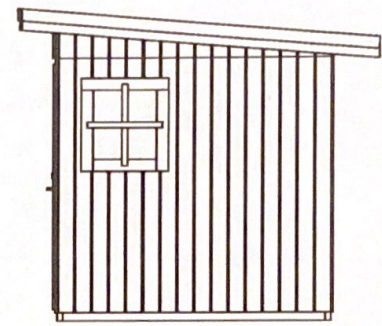
Front



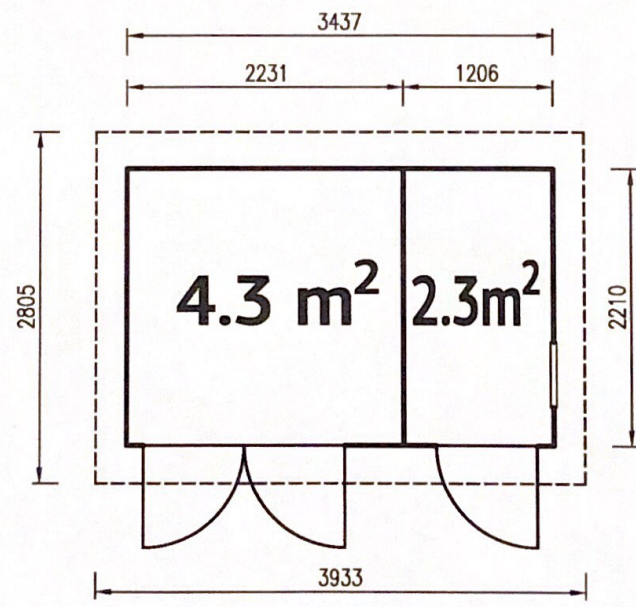
Left



Back



Right



Object name KALLE 6.6		Drawing Plan, elevations		Scale 1:50
Palmako LEMEKS GROUP AS Palmako Nõituse 25, Tartu 50409, Estonia tel. +372 73 55 530 fax. +372 73 55 544 www.palmako.com		Customer	Log	Paper A4
		Drawn by 007		
Date 11.01.2017	File Kalle 6.6	Page 1		