
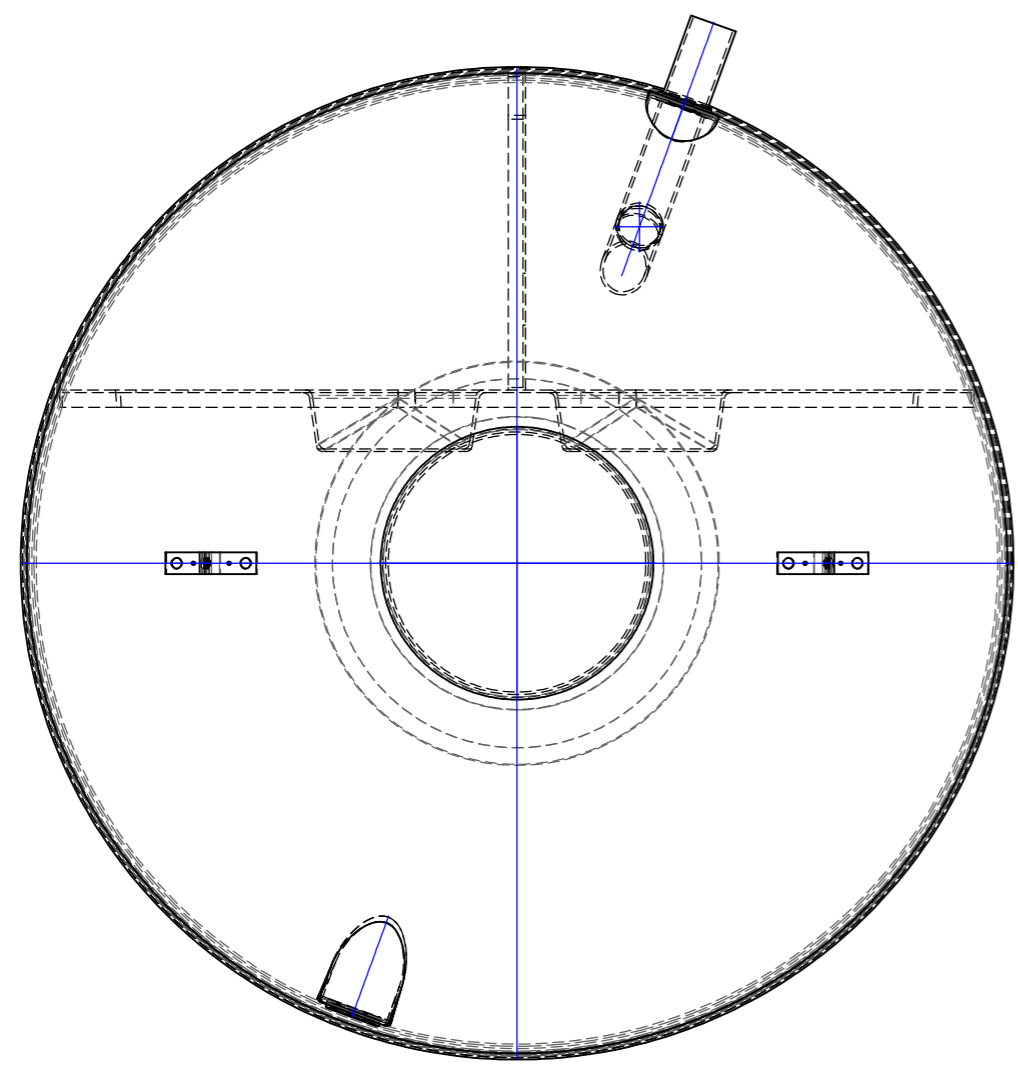
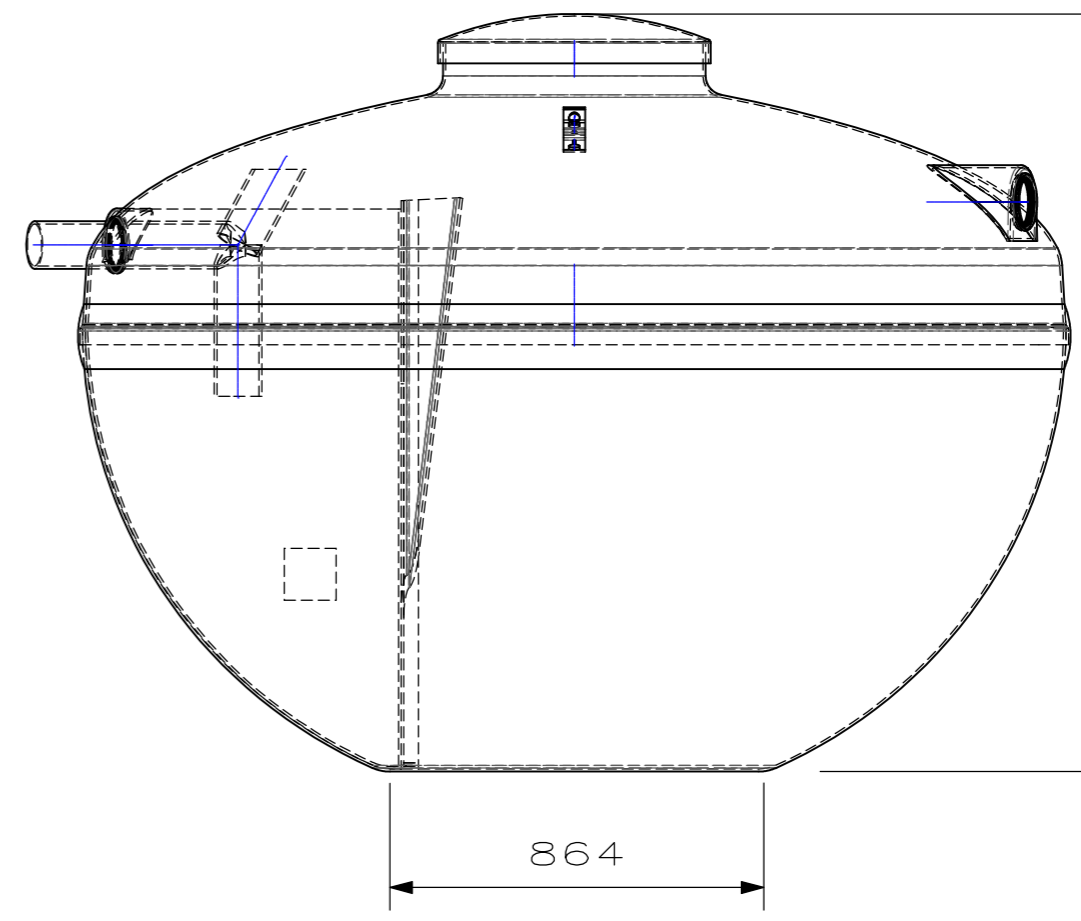
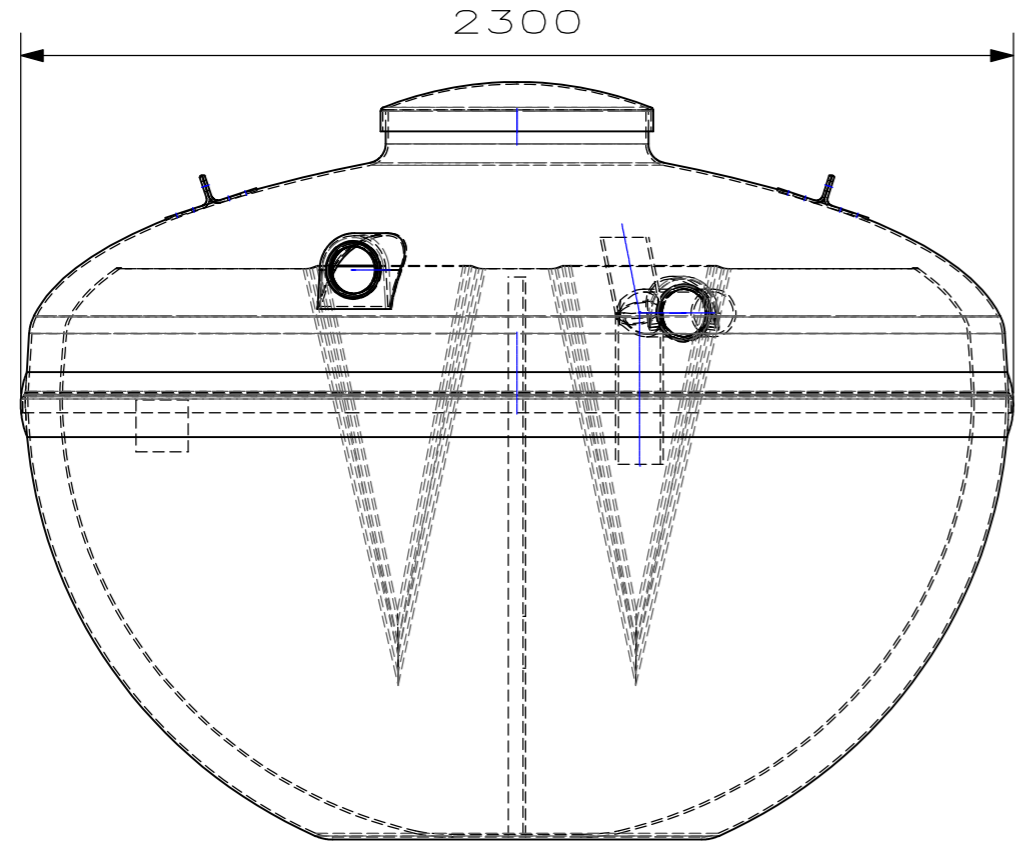



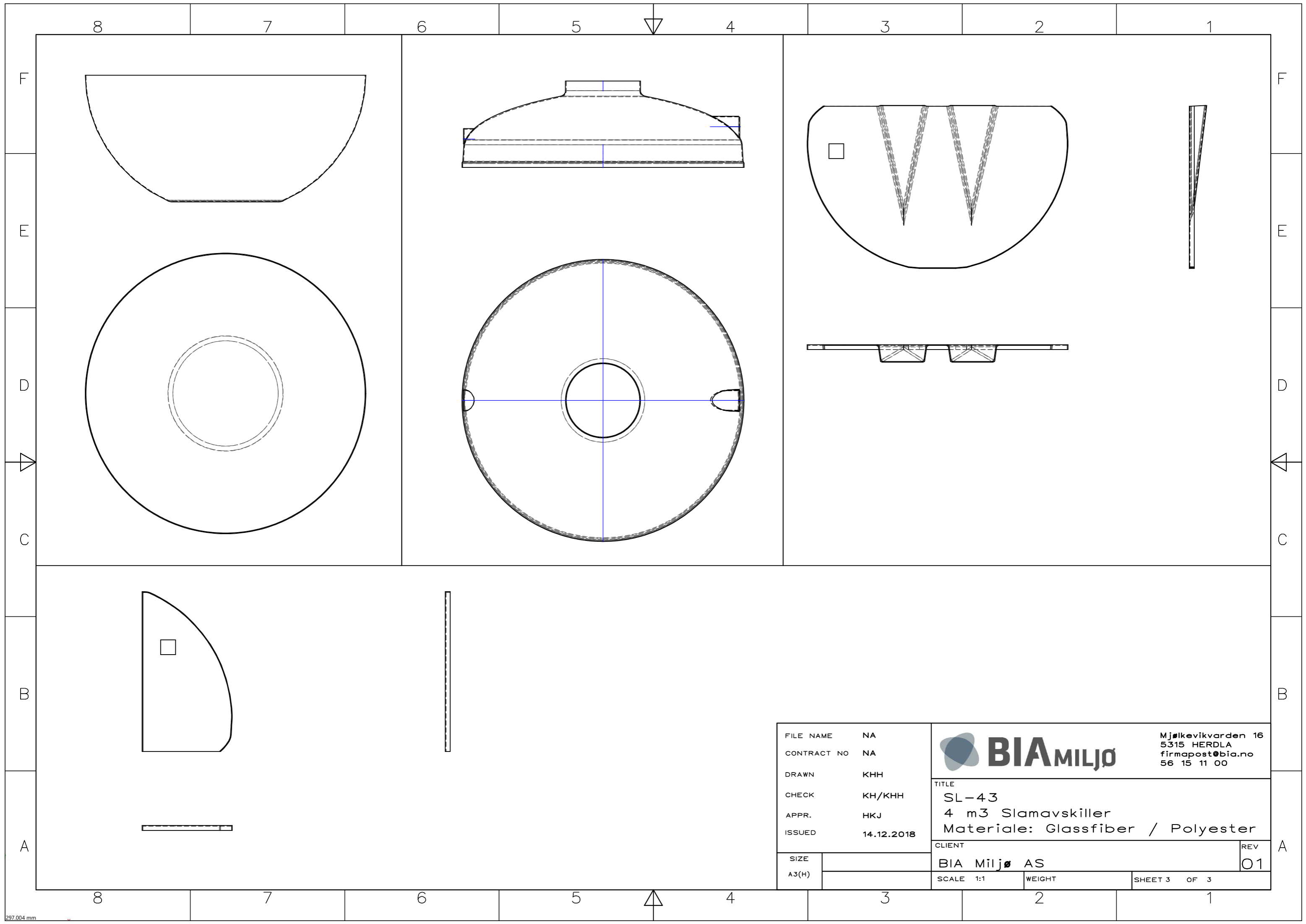
FILE NAME	NA
CONTRACT NO	NA
DRAWN	KHH
CHECK	KH/KHH
APPR.	HKJ
ISSUED	14.12.2018

		Mjølkvikvarden 16 5315 HERDLA firmapost@bia.no 56 15 11 00	
		TITLE SL-43 4 m ³ Slamavskiller Materiale: Glassfiber / Polyester	
CLIENT BIA Miljø AS		REV 01	
SCALE	1:1	WEIGHT	
SHEET 1		OF 3	



FILE NAME	NA
CONTRACT NO	NA
DRAWN	KHH
CHECK	KH/KHH
APPR.	HKJ
ISSUED	14.12.2018

		Mjølkvikvarden 16 5315 HERDLA firmapost@bia.no 56 15 11 00	
		TITLE SL-43 4 m ³ Slamavskiller Materiale: Glassfiber / Polyester	
CLIENT BIA Miljø AS		REV 01	
SCALE	1:1	WEIGHT	
SHEET 2		OF 3	



FILE NAME	NA
CONTRACT NO	NA
DRAWN	KHH
CHECK	KH/KHH
APPR.	HKJ
ISSUED	14.12.2018


BIA MILJØ
 Mjølkvikvarden 16
 5315 HERDLA
 firmapost@bia.no
 56 15 11 00

TITLE	SL-43
	4 m ³ Slamavskiller
	Materiale: Glassfiber / Polyester
CLIENT	BIA Miljø AS
REV	O1

SIZE	A3(H)	SCALE	1:1	WEIGHT		SHEET	3	OF	3
------	-------	-------	-----	--------	--	-------	---	----	---