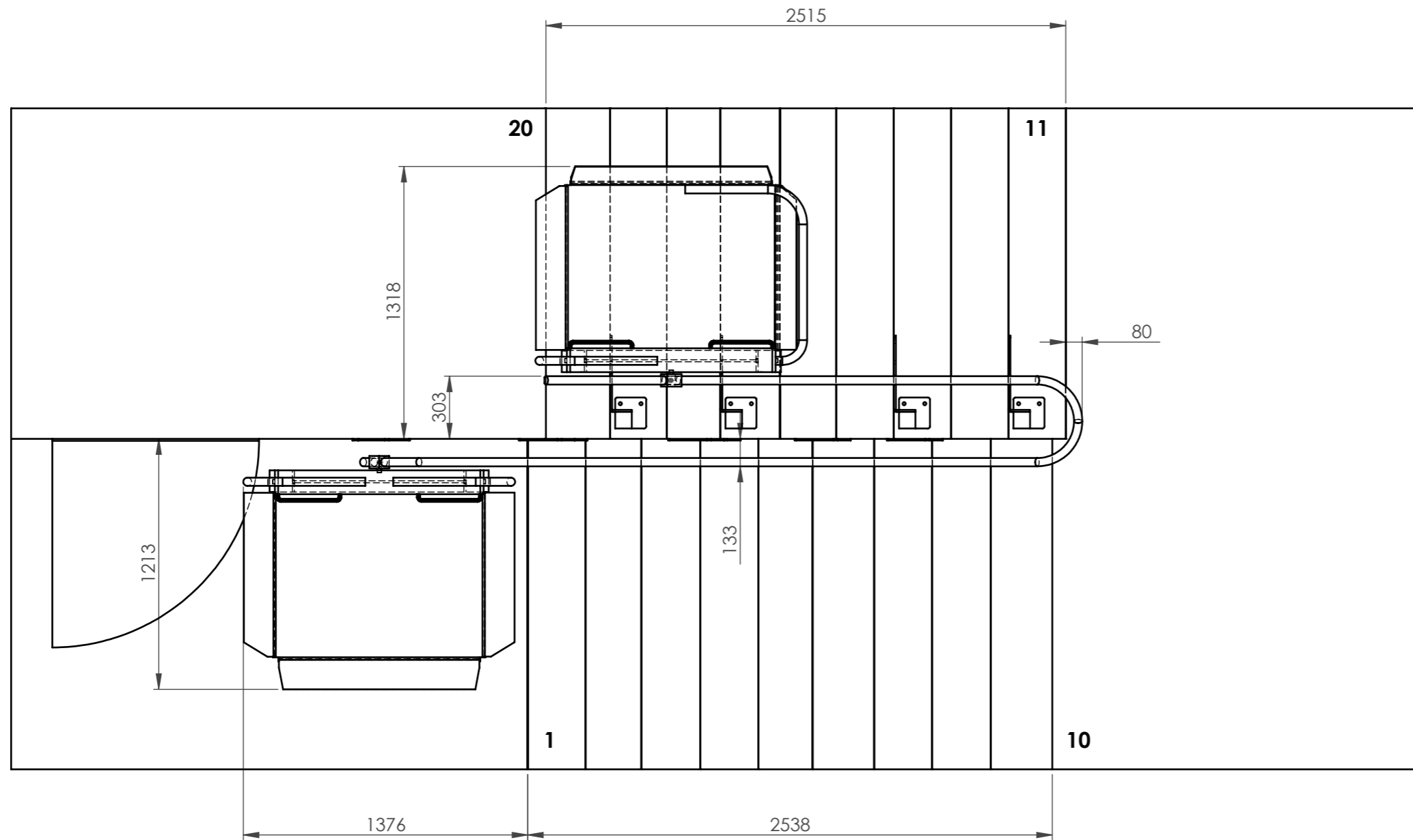


Please abide: The location of the supports are only a recommendation of the producer.
Tolerance could be possible because of the local situation!

The banister has to be removed!



head clearance measured from the end of platform to the ceiling : 1800mm
 max angle of track : 53,1°
 number of stops : 2
 size of platform: 800x1000mm
 power supply to the platform battery-charging at the stops
 power supply: 230V/50Hz 3x1,5² / protection 10amp.
 customer : Rosslund skole
 adress:

				Maßstab: 1:25		ABA			
				Type : T80LE-P6-C1					
			Datum					Name	
			Bearb.					18.08.2020	Baehrend
			Gepr.						
			Norm						
				Comm.: V99993239-2		Comm.: 999902			
						Blatt			
Zust.	Änderung	Datum	Name						