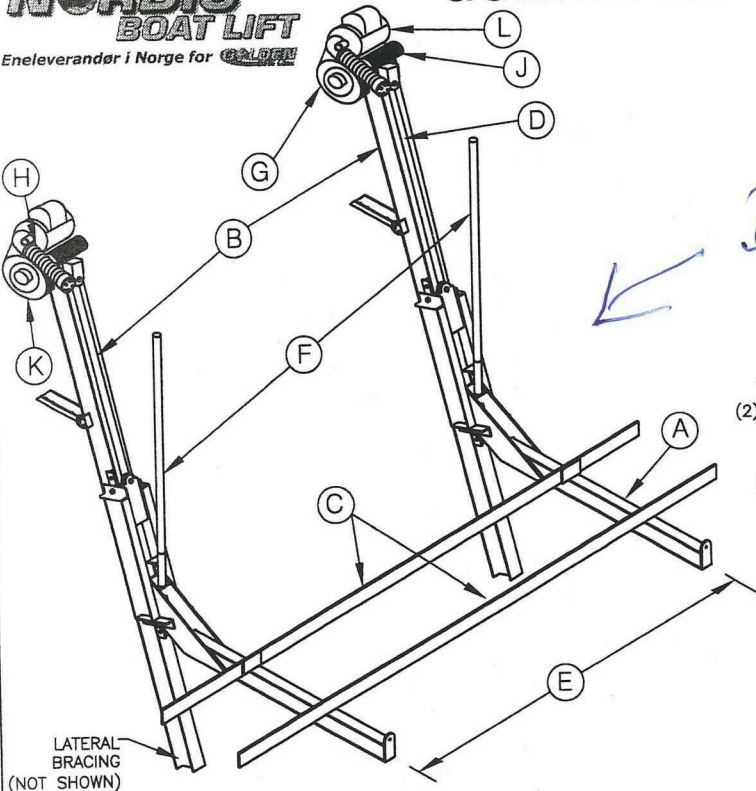


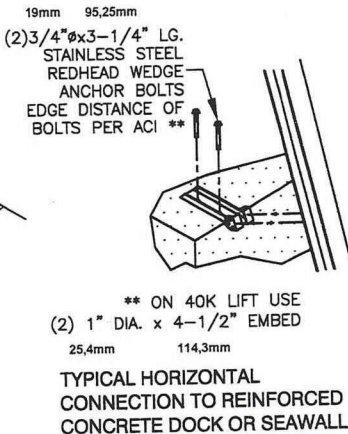
3.

NORDIC
BOAT LIFT
Eneleverandør i Norge for **COLLIFE**

GOLDEN ELEVATOR LIFT



BÅTHEIS



INCLINE MOUNT OR VERTICAL MOUNT

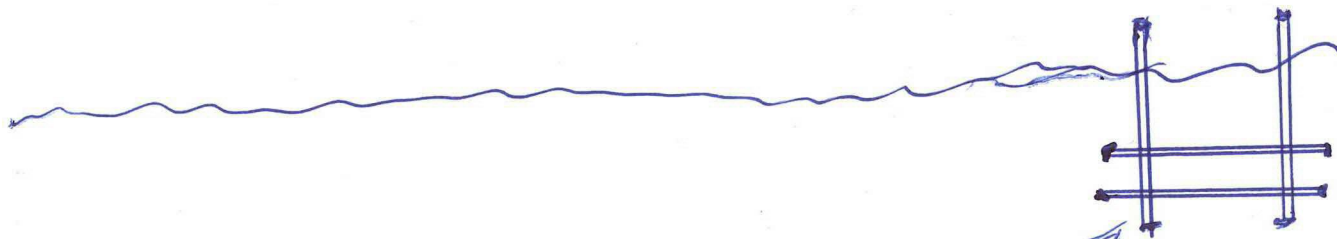
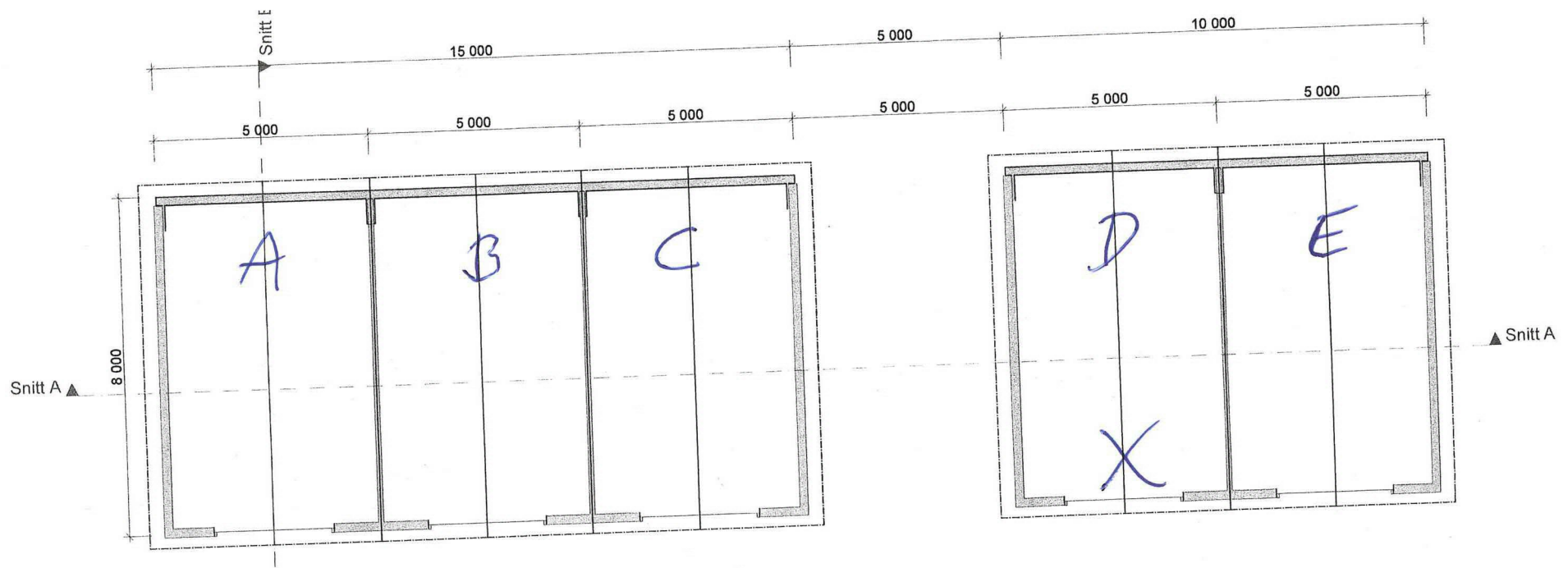
NOTE: THIS STRUCTURE HAS BEEN DESIGNED FOR LOADS ASSOCIATED WITH AN ULTIMATE WIND SPEED OF 289 KM/H, EXPOSURE "D", RISK CATEGORY I, CALCULATED PER FLORIDA BUILDING CODE 6th EDITION, 2017, ASCE/SEI 7-10 AND ADM-2015. BOATS SHALL NOT BE STORED ON LIFTS DURING HIGH WIND EVENTS. ALL PRIMARY STRUCTURAL MEMBERS ARE TO BE 6061-T6 ALUMINUM. TRACKS ARE TO BE DRIVEN TO FIRM BEARING MATERIAL AND SHALL BE ADEQUATELY BRACED AT NO MORE THAN 152cm O.C..

SUMMARY OF DESIGN FEATURES

	A	B	C	D	E	F	G	H	J	K	L	Sea-Drive 350:1
LIFT CAPACITY	CRADLE I-BEAM	TRACK I-BEAM	BUNK BOARDS FEET	CABLE SIZE	TRACK SPREAD	GUIDE POST HEIGHT	BRGS	DRIVE SHAFT	WINDER DIA	GEAR RATIO	MOTOR HP/VOLTAGE	CM OF LIFT PER MIN.
1360KG 3,000#	(2) 203mm H x 5,84mm 127mm B x 8,89mm x 2138mm L @ 5,0KG/M Ø 9,14 x 25 5 W x 25 @ 14,3#/FT	(2) 203mm H x 5,84mm 127mm B x 8,89mm x 7620mm L @ 6,0KG/M Ø 9,14 x 25 5 W x 25 @ 14,3#/FT		(2) 7,93mm x 914,4cm S.S. 2 Part (2) 5/16" Ø x 30" S.S. 2 PART	2133,6mm THRU 3048mm					350:1	(2) 3/4 HP 120V/20A 240V/10A	47cm std. motor
2288kg 5,000# & 3175kg 7,000#	(2) 203mm H x 6,35mm 127mm B x 10,41mm x 2438mm L @ 9,2KG/M Ø 9,14 x 25 5 W x 25 @ 14,3#/FT	(2) 203mm H x 6,35mm 127mm B x 10,41mm x 7620mm L @ 9,2KG/M Ø 9,14 x 25 5 W x 25 @ 14,3#/FT	(2) 50,8mm x 203,2mm x 3657mm	(2) 7,93mm x 914,4cm S.S. 2 Part (2) 5/16" Ø x 30" S.S. 2 PART	7 THRU 10'	2032mm	50,8mm			480:1	2288kg 5,000# (2) 3/4 HP 3175kg 7,000# (2) 1 HP	94cm std. motor
4536KG 10,000#	(2) 228mm H x 6,85mm 128mm B x 11,17mm x 2438mm L @ 12,4KG/M Ø 9,14 x 27 5 W x 27 @ 15,3#/FT	(2) 228mm H x 6,85mm 128mm B x 11,17mm x 7620mm L @ 12,4KG/M Ø 9,14 x 27 5 W x 27 @ 15,3#/FT	(2) 2 x 8 ROUGH SAWN CARPETED	(2) 9,52mm x 914,4cm S.S. 2 Part (2) 3/8" Ø x 30" S.S. 2 PART	2438,4mm THRU 3352,8mm	80°				500:1	(2) 3/4 HP 120V/20A 240V/10A	31cm std. motor
5443KG 12,000#	(2) 254mm H x 6,35mm 152mm B x 10,41mm x 2438mm L @ 12,8KG/M Ø 9,14 x 25 5 W x 25 @ 14,3#/FT	(2) 254mm H x 6,35mm 152mm B x 10,41mm x 7620mm L @ 12,8KG/M Ø 9,14 x 25 5 W x 25 @ 14,3#/FT		(2) 9,52mm x 1158,2cm S.S. 2 PART	8' THRU 11'						(2) 3/4 HP 120V/20A 240V/10A	62cm std. motor
6804KG 15,000#	(2) 254mm H x 7,36mm 152mm B x 10,41mm x 2438mm L @ 15,3KG/M Ø 10,16 x 29 5 W x 29 @ 17,8#/FT	(2) 254mm H x 7,36mm 152mm B x 10,41mm x 7620mm L @ 15,3KG/M Ø 10,16 x 29 5 W x 29 @ 17,8#/FT	(2) 76,2mm x 254mm x 4876mm	(2) 3/8" Ø x 38" S.S. 3 PART	2438,4mm THRU 4267,2mm						(2) 1 HP 120V/20A 240V/10A	23cm std. motor
7711KG 17,000#	(2) 304mm H x 7,36mm 177mm B x 11,93mm x 3048mm L @ 17,4KG/M Ø 12,19 x 29 7 W x 29 @ 17,8#/FT	(2) 304mm H x 7,36mm 177mm B x 11,93mm x 7620mm L @ 17,4KG/M Ø 12,19 x 29 7 W x 29 @ 17,8#/FT	(2) 3 x 10 x 192 ROUGH SAWN CARPETED	(2) 9,52mm x 1706,8cm S.S. 2 PART	8' THRU 14'	3048mm				350:1	(2) 1 HP 120V/20A 240V/10A	46cm std. motor
9072KG 20,000#	(2) 304mm H x 8,87mm 177mm B x 15,74mm x 3352mm L @ 21,2KG/M Ø 12,19 x 31 7 W x 31 @ 14,3#/FT	(2) 304mm H x 8,87mm 177mm B x 15,74mm x 7620mm L @ 21,2KG/M Ø 12,19 x 31 7 W x 31 @ 14,3#/FT		(2) 3/8" Ø x 56" S.S. 4 PART						480:1		
10.886KG 24,000#	(2) 254mm H x 7,36mm 152mm B x 10,41mm x 3048mm L @ 15,3KG/M Ø 10,16 x 29 5 W x 29 @ 17,8#/FT	(2) 254mm H x 7,36mm 152mm B x 10,41mm x 7620mm L @ 15,3KG/M Ø 10,16 x 29 5 W x 29 @ 17,8#/FT		(2) 11,11mm x 1828,8cm S.S. 2 PART (2) 7/16" Ø x 60" S.S. 4 PART	3048mm THRU 4876,8mm	120°	50,8mm				FLAT DRIVE: Ø 76,2mm O.D. x 60,54mm I.D. SEA DRIVE: Ø 88,9mm O.D. x 60,54mm I.D. FLAT PLATE DRIVE: 3/8" O.D. x 1,99" I.D. SEA DRIVE: 3/5" Ø O.D. x 1,99" I.D.	31cm 62cm std. motor x2 speed w/ fast engine upgrade
13.608KG 30,000#	(2) 304mm H x 7,87mm 177mm B x 15,74mm x 3352mm L @ 21,2KG/M	(2) 304mm H x 7,87mm 177mm B x 15,74mm x 7620mm L @ 21,2KG/M		(2) 12,7mm x 2072,6cm S.S. 2 PART						500:1	(2) 1.5 HP 120V/20A 240V/10A	23cm 46cm std. motor x2 speed w/ fast engine upgrade
18.143KG 40,000#	(4) 12 H x 31 7 W x 62 x 11' LG. @ 14,3#/FT	(4) 12 H x 31 7 W x 62 x 25' LG. @ 14,3#/FT		(2) 10 H x 25 6 W x 41 x 29" LG. CAPPED W/ WOOD & CARPET	(2) 1/2" Ø x 68" S.S. 4 PART							16cm 32cm std. motor x2 speed w/ fast engine upgrade

Golden Manufacturing, Inc. 17611 East Street, North Fort Myers Florida 33917 Pub 6-19-18

HADDE TENKT Å GÅ FOR 3175 KG. = X



BÅT HEIS →

BYA = 40 m² pr. naust
 BRA = 37 m² pr. naust
 Garnloft ikke målbart

Prosjekt: Naust - Bersåsstranda		Kontroll prosjekt: Sign.: Kontroll:	
Tiltakshaver: Jarle Bergås Lurevegen 956 6912 Selm		Grn./Brv./Festevn.: 63/38	
Prosjekterende: ADU as Fonnes Sentor, pb. 75 6953 Fonnes		Prosjektnr.: 2014096	
© Alle rettigheter tilhører utførende for prosjektering, kopiering eller bruk av disse tegningene er forbudt uten skriftlig samtykke		Dato: 06.03.2017	
Tegning: Plan 1. Etasje		Målestokk: 1:100	
Tagingsnr.: A20-01		Rev.:	

4.