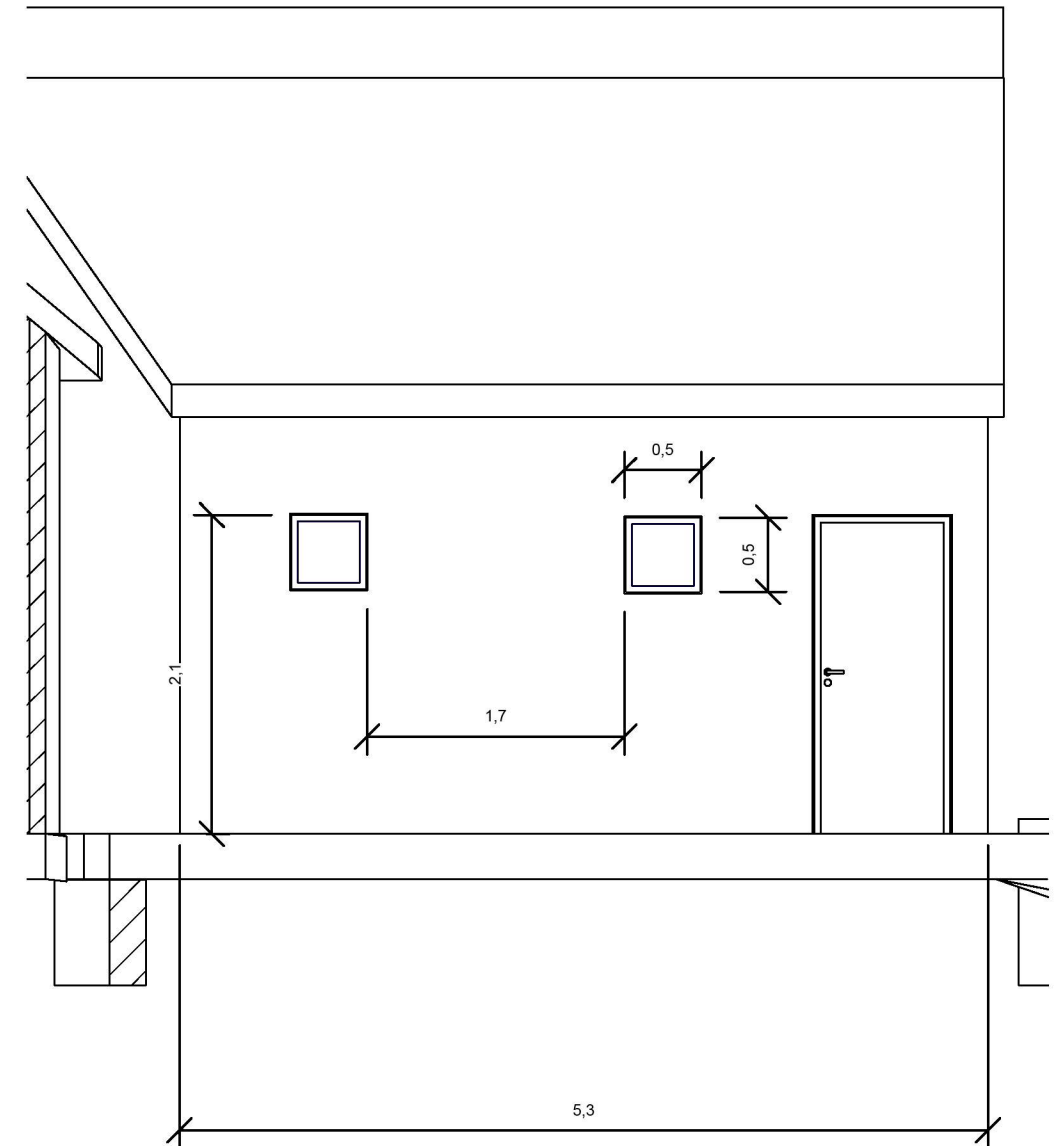
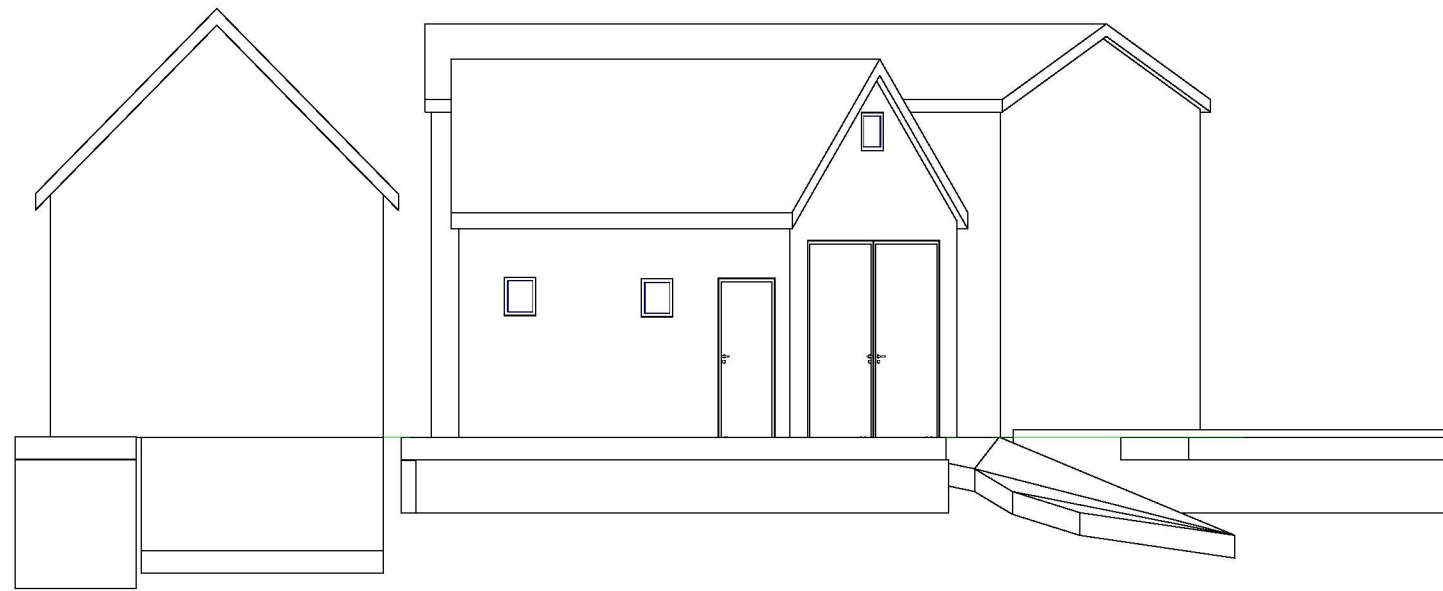


② *Fasade mot Sør*  
1 : 50

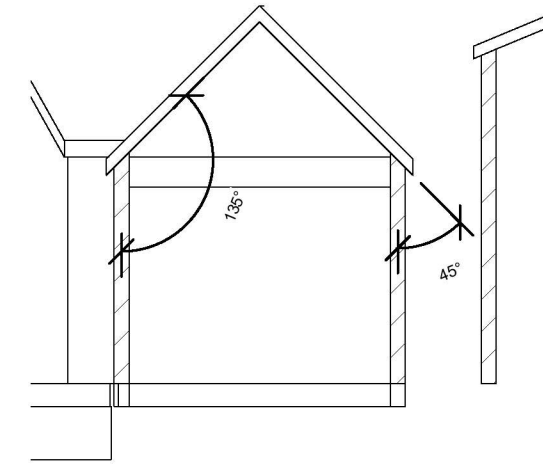


⑥ *Fasade mot Vest*  
1 : 50

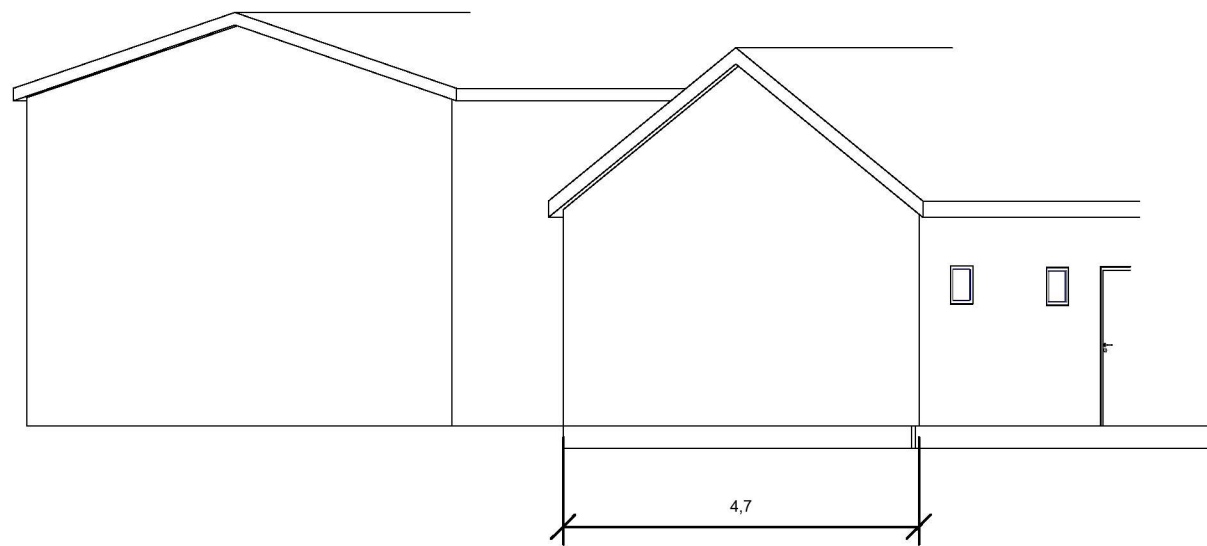
	<i>Project name</i>	<i>Initial Date</i> 17/12/2015	<i>Scale</i> 1 : 50
	Naust 137/184	<i>Designed</i> DSG	<i>Size</i> A3
	<i>Drawing name</i>	<i>Drawing N°</i>	<i>Revision</i>
	Fasade_1	Snitt	



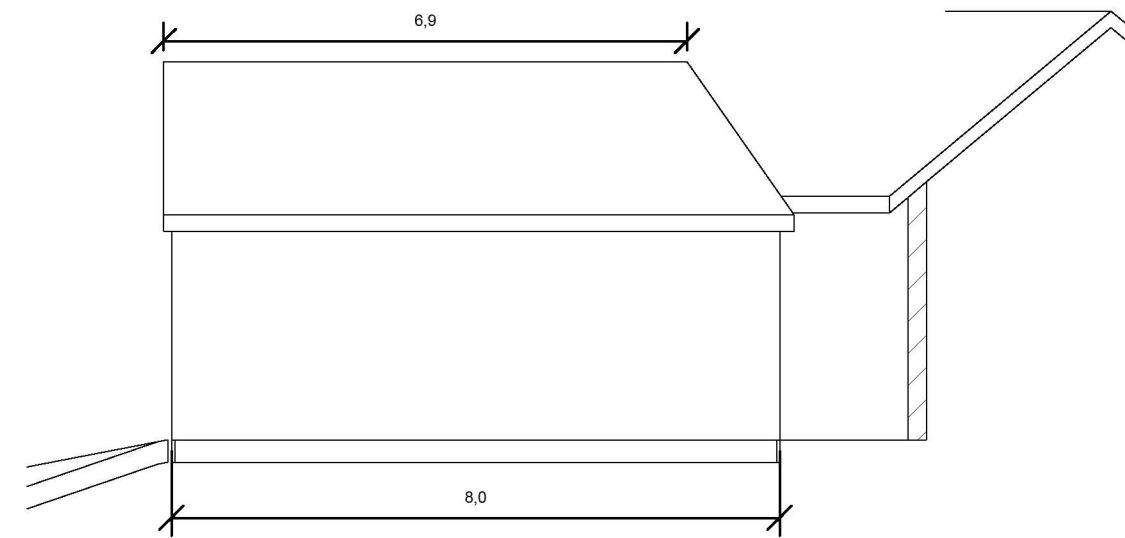
② Fasade mot Sør-Vest  
1 : 100



① Takvinkel (Sør)  
1 : 100

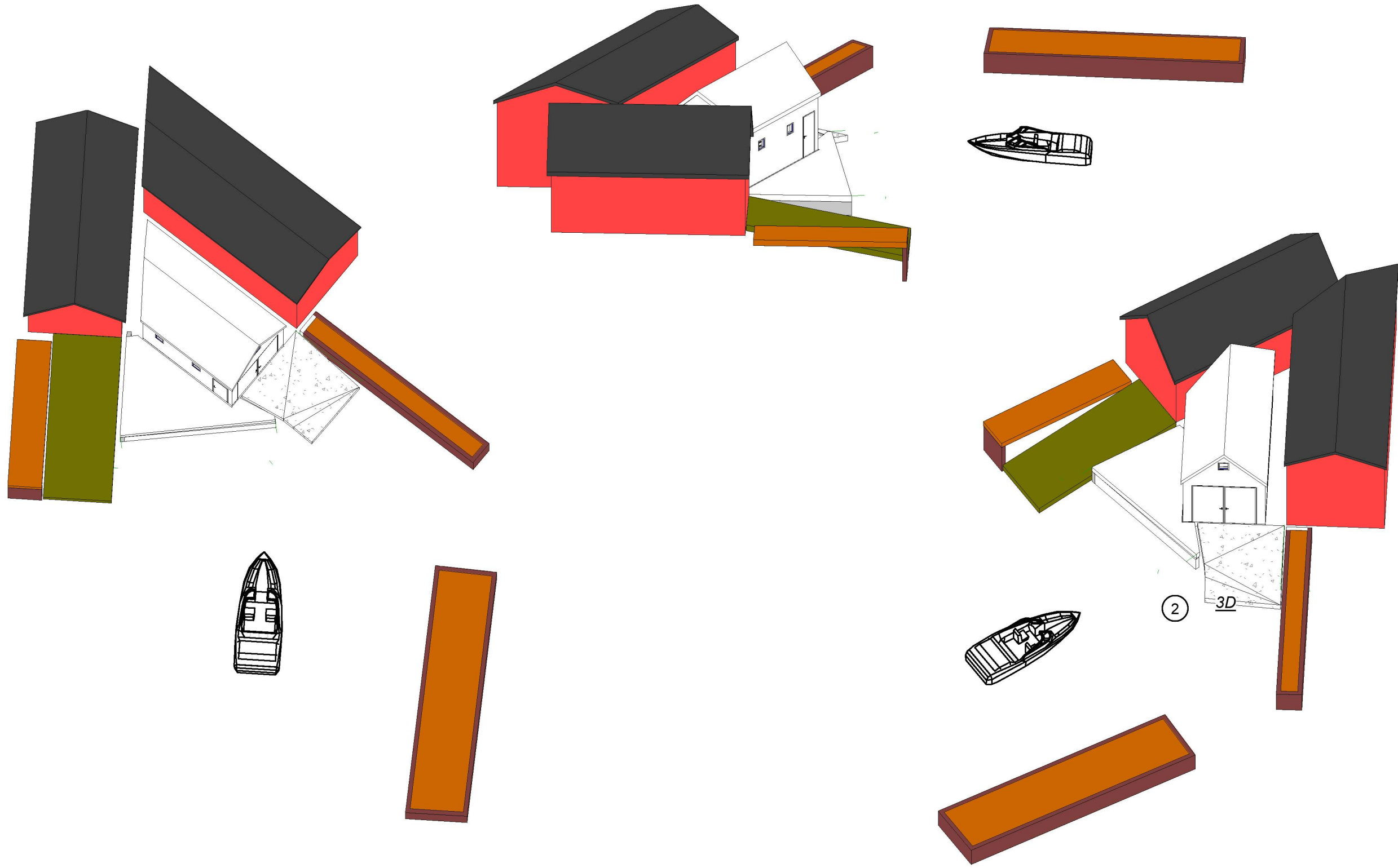


④ Fasade mot Nord-Vest  
1 : 100



③ Fasade mot Øst  
1 : 100

	<i>Project name</i>	<i>Initial Date</i> 01/14/21	<i>Scale</i> 1 : 100
	Naust 137/184	<i>Designed</i> Designer	<i>Size</i> A3
	<i>Drawing name</i>	<i>Checked</i> Checker	<i>Revision</i>
	Fasade_2	<i>Drawing N°</i> Snitt tegning 2	



③ 3D

① 3D	Project name	Initial Date	21.01.2021	Scale
	Naust 137/184	Designed	—	Size A3
	Drawing name	Checked	—	Revision
	3d bilder fra modell	Drawing N°	3d	