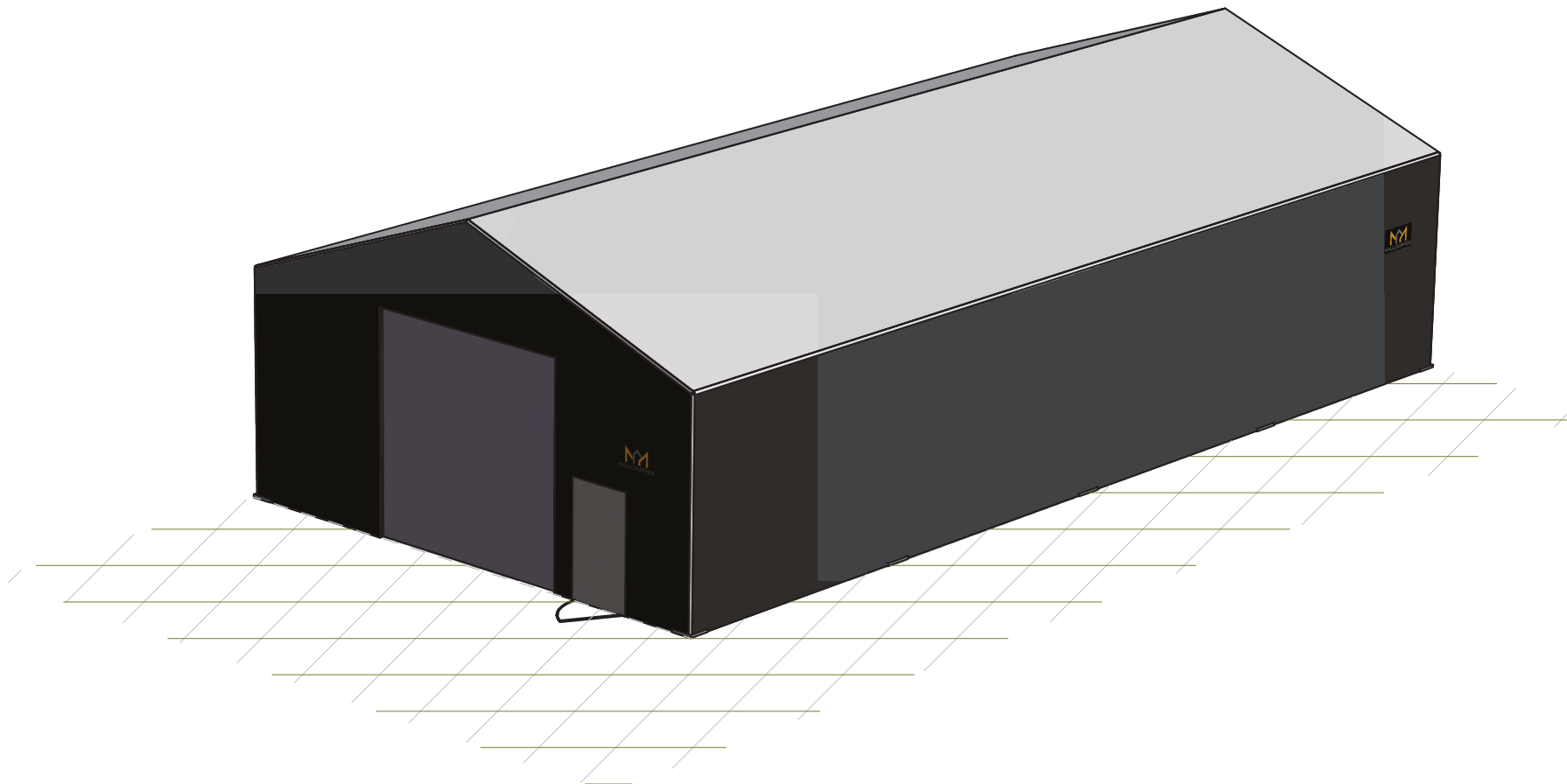


The drawing shall not be copied or be giving
third party without Hallgruppen's consent

ILLUSTRATION OF
Eikanger Park &
Anlegg's
HALL 10/4 x 20m



Rev Date: 23 / 2 / 2021
Rev By: Reidar Berg
CUSTOMER: Eikanger Park & Anlegg
ADDRESS: Eikangervåg
GNR / BNR:



Title:
Byggesakstegning / Bygglovsriting
HALL 10/4 x 20m
Illustration

Drawing no:

IX10/4-BS



Sheets:
4 of 4

Rev no:
1