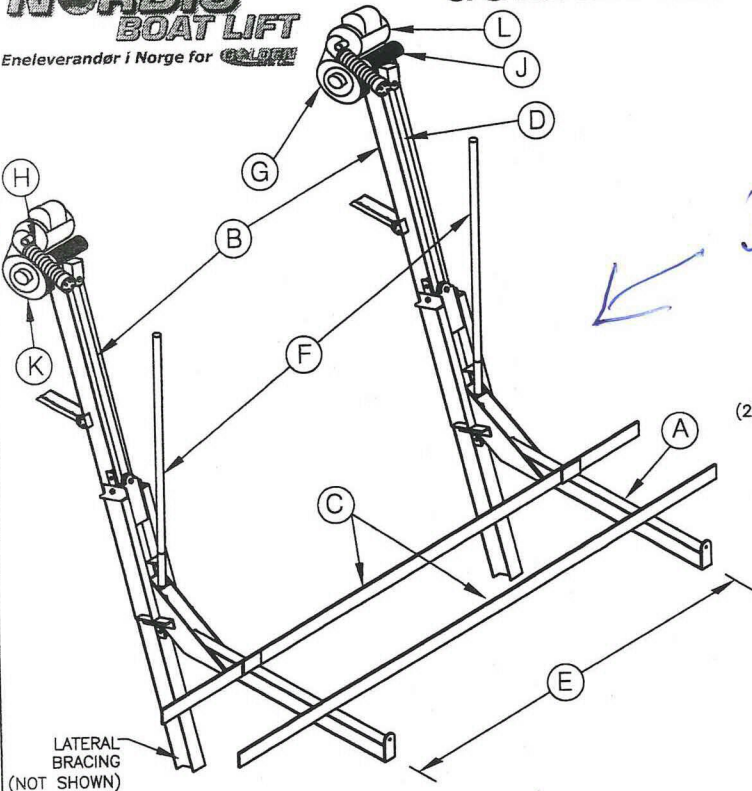


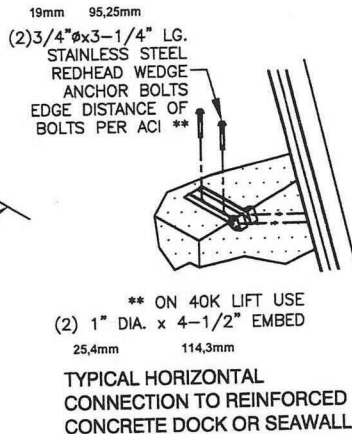
3.

NORDIC
BOAT LIFT
Eneleverandør i Norge for **COLLIFE**

GOLDEN ELEVATOR LIFT



BÅTHEIS



INCLINE MOUNT OR VERTICAL MOUNT

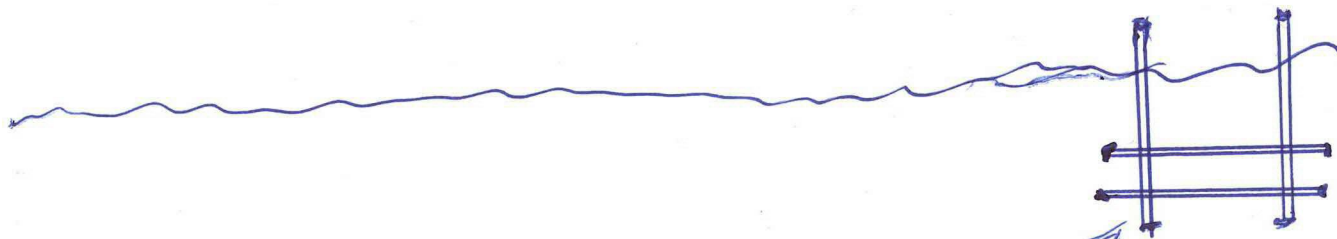
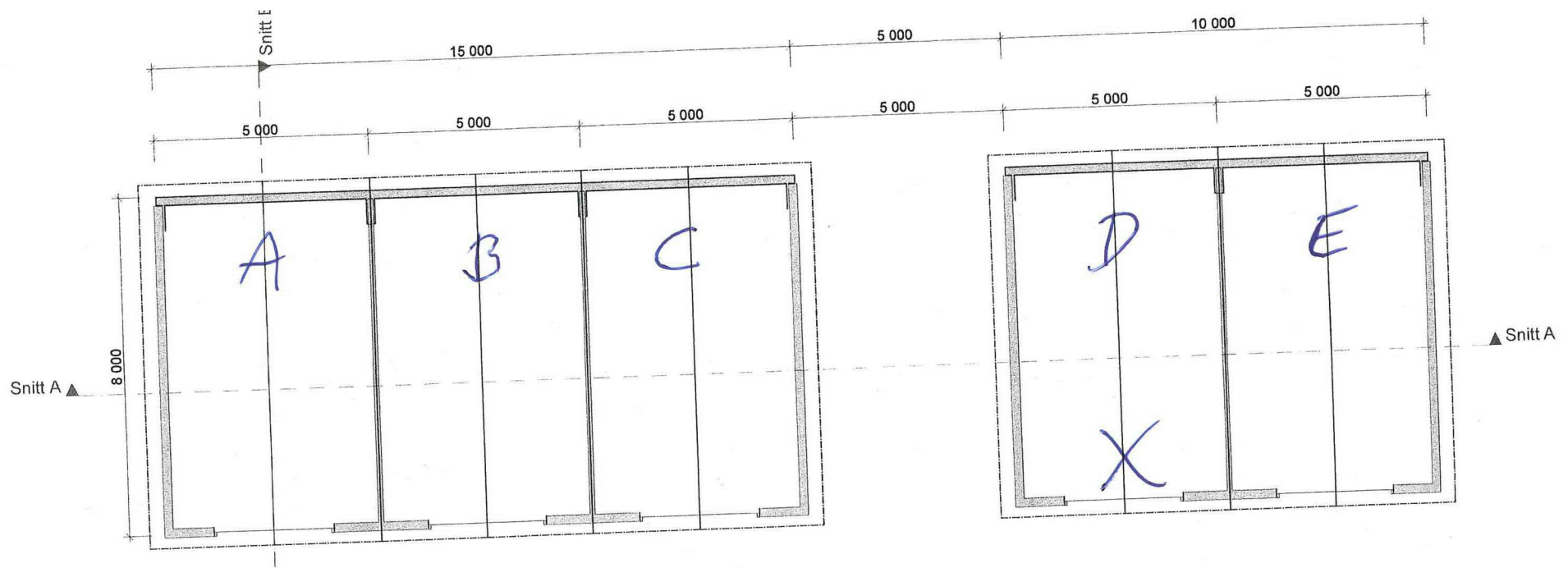
NOTE: THIS STRUCTURE HAS BEEN DESIGNED FOR LOADS ASSOCIATED WITH AN ULTIMATE WIND SPEED OF 289 KM/H, EXPOSURE "D", RISK CATEGORY I, CALCULATED PER FLORIDA BUILDING CODE 6th EDITION, 2017, ASCE/SEI 7-10 AND ADM-2015. BOATS SHALL NOT BE STORED ON LIFTS DURING HIGH WIND EVENTS. ALL PRIMARY STRUCTURAL MEMBERS ARE TO BE 6061-T6 ALUMINUM. TRACKS ARE TO BE DRIVEN TO FIRM BEARING MATERIAL AND SHALL BE ADEQUATELY BRACED AT NO MORE THAN 152cm O.C..

SUMMARY OF DESIGN FEATURES

| | A | B | C | D | E | F | G | H | J | K | L | Sea-Drive 350:1 |
|-------------------------------------|--|--|---|--|------------------------------------|--------------------|--------|-------------|------------|------------|--|---|
| LIFT CAPACITY | CRADLE I-BEAM | TRACK I-BEAM | BUNK BOARDS FEET | CABLE SIZE | TRACK SPREAD | GUIDE POST HEIGHT | BRGS | DRIVE SHAFT | WINDER DIA | GEAR RATIO | MOTOR HP/VOLTAGE | CM OF LIFT PER MIN. |
| 1360KG 3,000# | (2) 203mm H x 5,84mm 127mm B x 8,89mm x 2138mm L @ 5,0KG/M Ø 9,14 x 25 5 W x 25 @ 14,3#/FT | (2) 203mm H x 5,84mm 127mm B x 8,89mm x 7620mm L @ 6,0KG/M Ø 9,14 x 25 5 W x 25 @ 14,3#/FT | | (2) 7,93mm x 914,4cm S.S. 2 Part (2) 5/16" Ø x 30" S.S. 2 PART | 2133,6mm THRU 3048mm | | | | | 350:1 | (2) 3/4 HP 120V/20A 240V/10A | 47cm std. motor |
| 2288kg 5,000# & 3175kg 7,000# | (2) 203mm H x 6,35mm 127mm B x 10,41mm x 2438mm L @ 9,2KG/M Ø 9,14 x 25 5 W x 25 @ 14,3#/FT | (2) 203mm H x 6,35mm 127mm B x 10,41mm x 7620mm L @ 9,2KG/M Ø 9,14 x 25 5 W x 25 @ 14,3#/FT | (2) 50,8mm x 203,2mm x 3657mm | (2) 7,93mm x 914,4cm S.S. 2 Part (2) 5/16" Ø x 30" S.S. 2 PART | 7 THRU 10' | 2032mm | 50,8mm | | | 480:1 | 2288kg 5,000# (2) 3/4 HP | 94cm |
| 4536KG 10,000# | (2) 228mm H x 6,85mm 128mm B x 11,17mm x 2438mm L @ 12,4KG/M Ø 9,14 x 27 5 W x 27 @ 15,3#/FT | (2) 228mm H x 6,85mm 128mm B x 11,17mm x 7620mm L @ 12,4KG/M Ø 9,14 x 27 5 W x 27 @ 15,3#/FT | (2) 2 x 8 ROUGH SAWN CARPETED | (2) 9,52mm x 914,4cm S.S. 2 Part (2) 3/8" Ø x 30" S.S. 2 PART | 2438,4mm THRU 3352,8mm | 80° | | | | 500:1 | (2) 3/4 HP 120V/20A 240V/10A | 31cm std. motor |
| 5443KG 12,000# | (2) 254mm H x 6,35mm 152mm B x 10,41mm x 2438mm L @ 12,8KG/M Ø 9,14 x 25 5 W x 25 @ 14,3#/FT | (2) 254mm H x 6,35mm 152mm B x 10,41mm x 7620mm L @ 12,8KG/M Ø 9,14 x 25 5 W x 25 @ 14,3#/FT | | (2) 9,52mm x 1158,2cm S.S. 2 PART | 8' THRU 11' | | | | | | (2) 3/4 HP 120V/20A 240V/10A | 62cm x2 speed w/ fast engine upgrade |
| 6804KG 15,000# | (2) 254mm H x 7,36mm 152mm B x 10,41mm x 2438mm L @ 15,3KG/M Ø 10,16 x 29 5 W x 29 @ 17,8#/FT | (2) 254mm H x 7,36mm 152mm B x 10,41mm x 7620mm L @ 15,3KG/M Ø 10,16 x 29 5 W x 29 @ 17,8#/FT | (2) 76,2mm x 254mm x 4876mm | (2) 3/8" Ø x 38" S.S. 3 PART | 2438,4mm THRU 4267,2mm | | | | | | (2) 1 HP 120V/20A 240V/10A | 23cm std. motor |
| 7711KG 17,000# | (2) 304mm H x 7,36mm 177mm B x 11,93mm x 3048mm L @ 17,4KG/M Ø 12,19 x 29 7 W x 29 @ 17,8#/FT | (2) 304mm H x 7,36mm 177mm B x 11,93mm x 7620mm L @ 17,4KG/M Ø 12,19 x 29 7 W x 29 @ 17,8#/FT | (2) 3 x 10 x 192 ROUGH SAWN CARPETED | (2) 9,52mm x 1706,8cm S.S. 2 PART | 8' THRU 14' | 3048mm | | | | 350:1 | (2) 1 HP 120V/20A 240V/10A | 46cm x2 speed w/ fast engine upgrade |
| 9072KG 20,000# | (2) 304mm H x 8,87mm 177mm B x 15,74mm x 3352mm L @ 21,2KG/M Ø 12,19 x 31 7 W x 31 @ 14,3#/FT | (2) 304mm H x 8,87mm 177mm B x 15,74mm x 7620mm L @ 21,2KG/M Ø 12,19 x 31 7 W x 31 @ 14,3#/FT | | (2) 3/8" Ø x 56" S.S. 4 PART | | | | | | 480:1 | | 31cm std. motor |
| 10.886KG 24,000# | (2) 254mm H x 7,36mm 152mm B x 10,41mm x 3048mm L @ 15,3KG/M Ø 10,16 x 29 5 W x 29 @ 17,8#/FT | (2) 254mm H x 7,36mm 152mm B x 10,41mm x 7620mm L @ 15,3KG/M Ø 10,16 x 29 5 W x 29 @ 17,8#/FT | | (2) 11,11mm x 1828,8cm S.S. 2 PART (2) 7/16" Ø x 50" S.S. 4 PART | 3048mm THRU 4876,8mm | 120° | 50,8mm | | | | FLAT DRIVE: Ø 76,2mm O.D. x 60,54mm I.D. SEA DRIVE: Ø 88,9mm O.D. x 60,54mm I.D. FLAT PLATE DRIVE: 3/8" O.D. x 1,99" I.D. SEA DRIVE: 3/5" Ø O.D. x 1,99" I.D. | 62cm x2 speed w/ fast engine upgrade |
| 13.608KG 30,000# | (2) 304mm H x 7,87mm 177mm B x 15,74mm x 3352mm L @ 21,2KG/M | (2) 304mm H x 7,87mm 177mm B x 15,74mm x 7620mm L @ 21,2KG/M | | (2) 12,7mm x 2072,6cm S.S. 2 PART | | | | | | 500:1 | (2) 1.5 HP 120V/20A 240V/10A | 23cm std. motor |
| 18.143KG 40,000# | (4) 12 H x 31 7 W x 62 x 11' LG. @ 14,3#/FT | (4) 12 H x 31 7 W x 62 x 25' LG. @ 14,3#/FT | (2) 254mm H x 6,35mm 152,4mm B x 10,41 6096mm L | (2) 10 H x 25 6 W x 41 x 29" LG. CAPPED W/ WOOD & CARPET | (2) 1/2" Ø x 68" S.S. 4 PART | 10' THRU 16' | | | | | | 46cm x2 speed w/ fast engine upgrade |

Golden Manufacturing, Inc. 17611 East Street, North Fort Myers Florida 33917 Pub 6-19-18

HADDE TENKT Å GÅ FOR 3175 KG. = X



BÅT HEIS ↗

| | | | |
|--|--|-----------------------------|-----------|
| BYA = 40 m ² pr. naust BRA = 37 m ² pr. naust Garnloft ikke målbart | | Kontroll prosjekt: | |
| Prosjekt: Naust - Bersåsstranda | | Sign.: | Kontroll: |
| Tiltekehaver: Jarle Bergås Lurevegen 956 6912 Selm | | Gr./Brv./Festevr.: 63/38 | |
| Prosjekterende: ADU as Fonnes Sentor, pb. 75 6953 Fonnes | | Prosjektnr.: 2014096 | |
| © Alle rettigheter tilhører utførende for prosjektering, kopiering eller bruk av disse tegningene er forbudt uten skriftlig samtykke | | Dato: 06.03.2017 | |
| Tegning: Plan 1. Etasje | | Målestokk: 1:100 | Rev.: |
| | | Tegningsnr.: A20-01 | |

4.