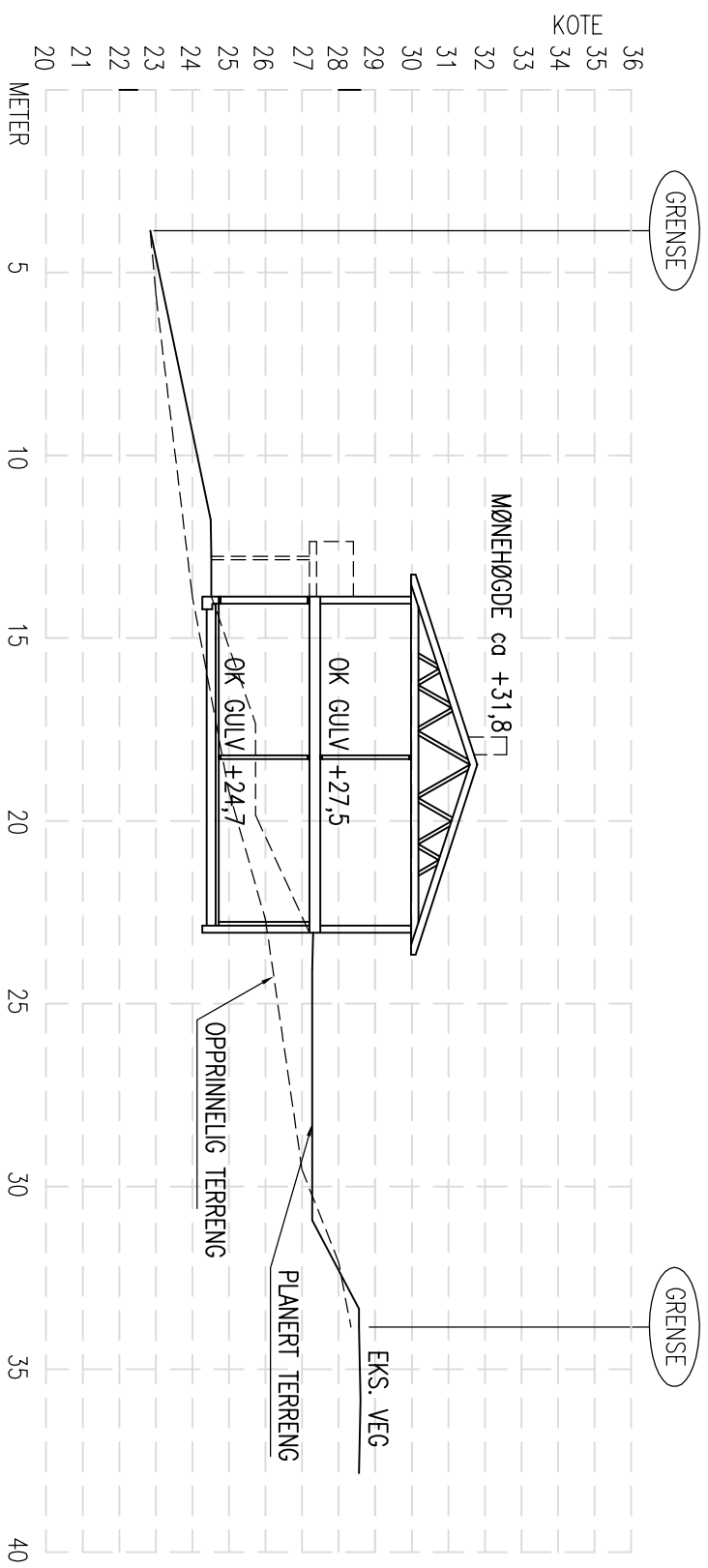


TERRENGPROFIL A-A



TERRENGPROFIL B-B

REV.	DESCRIPTION	DATE/SIGN
	<p><b>NOTE!</b></p> <ul style="list-style-type: none"> <li>* PART OF DRAWING MAY NOT BE SHOWN IN SCALE</li> <li>* DO NOT TAKE MEASURES ON DRAWING</li> <li>* ONLY RELAY ON GIVE DIMENSIONS</li> </ul>	<p>ACCORDING TO INTERNATIONAL LAWS, THIS DRAWING IS THE PROPERTY OF ARKOCONSULT AS. THE DRAWING CAN NOT BE USED, MADE PUBLIC OR HANDED OVER TO A THIRD PART WITHOUT OUR WRITTEN CONSENT. ANY INFRINGEMENT WILL LEAD TO LEGAL PROCEEDINGS.</p>
	<p>BOLIG &amp; EIENDOM AS RISASJØEN, 123/102</p>	<p>REVISION/DATE: PROJECT NO.: 2014102</p>
	<p>TERRENGPROFIL A-A OG B-B</p>	<p>DRAWING NO.: 20714102A11</p>
	<p>SCALE: 1:200 DRAWN: LAH</p>	<p>FORMAT: A3 DATE: 28.10.15</p>
	<p>CHECKED:</p>	<p>DATE:</p>
<p>ARKOCONSULT AS, Postboks 103, 5291 Vaestf., Tel.: 56390003 – Fax.: 56191130 – Mob.: 93241511 Mail: post@arkoconsult.no – Org.nr.: 997089782 MVA</p>		

