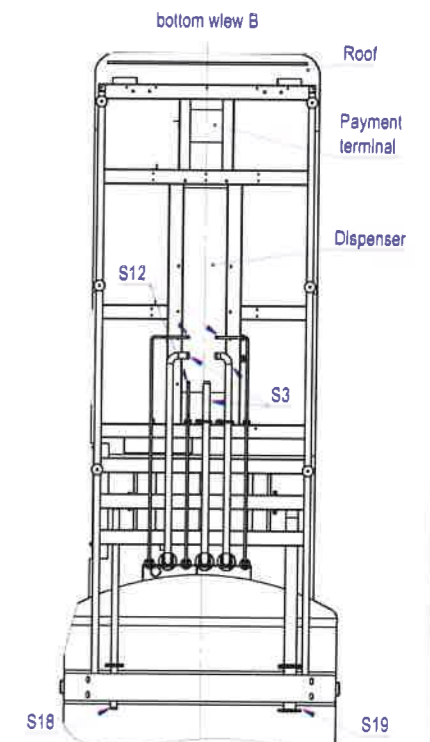
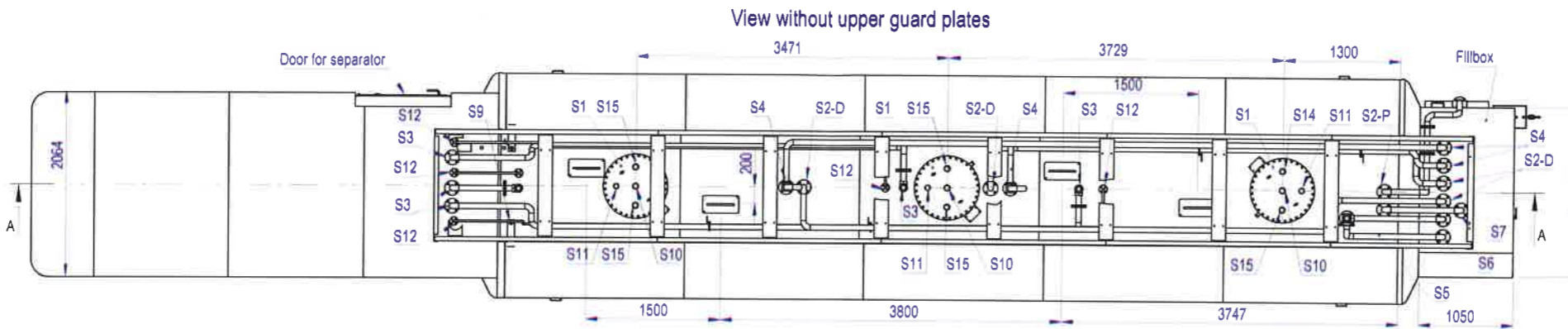
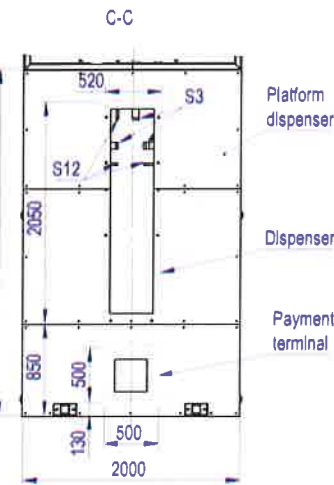
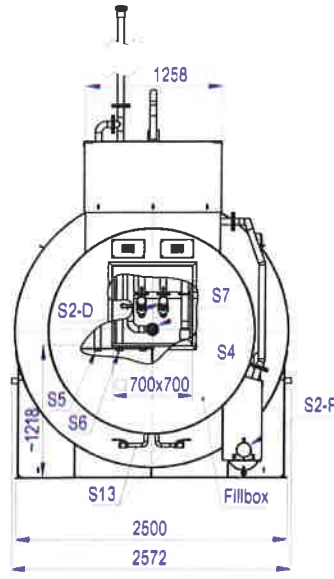
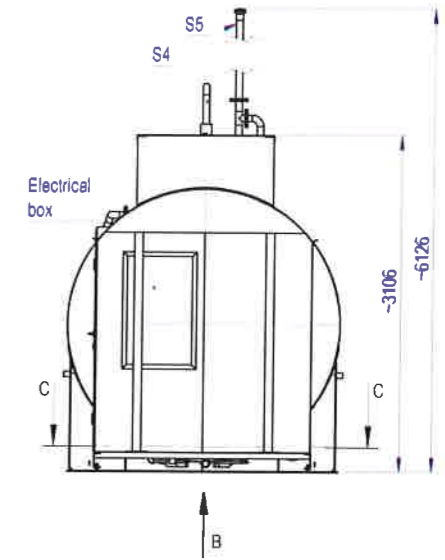
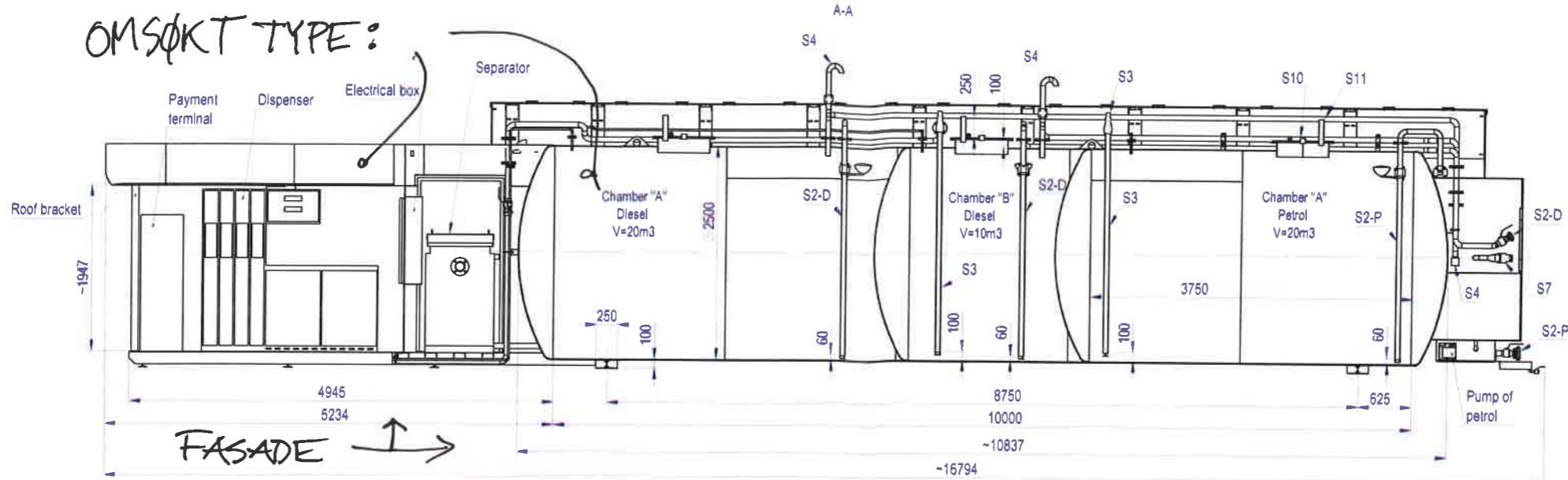
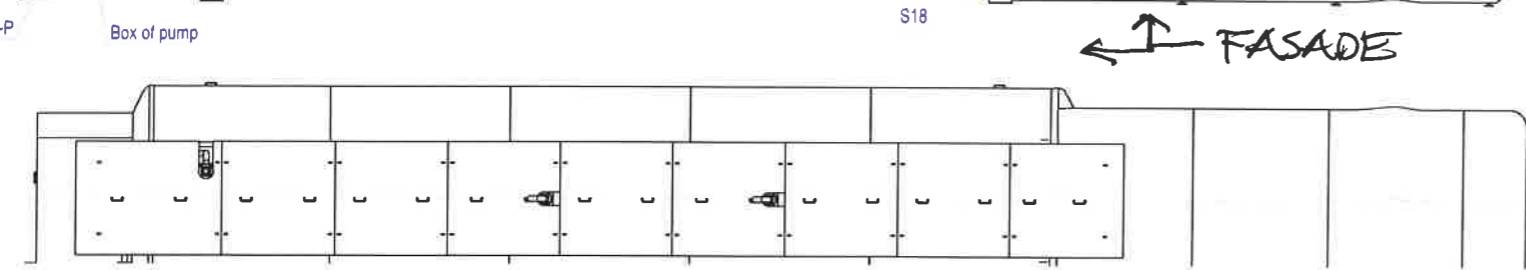
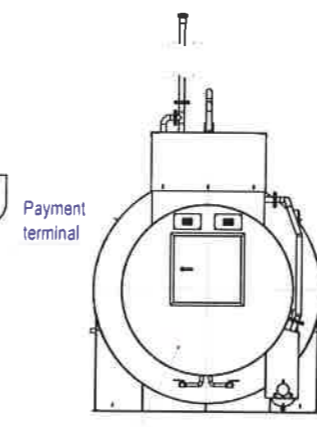
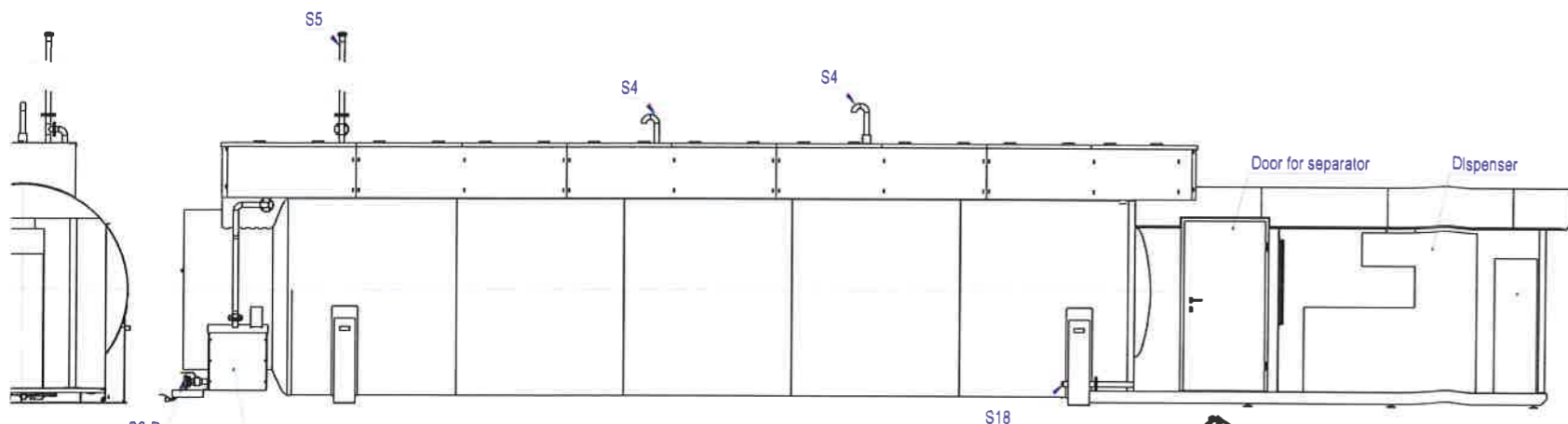


OMSOKT TYPE:

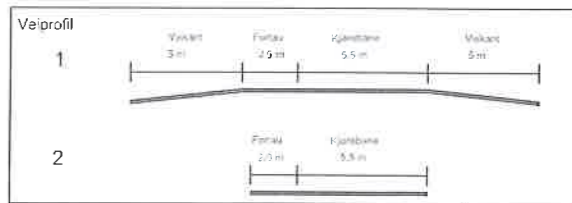
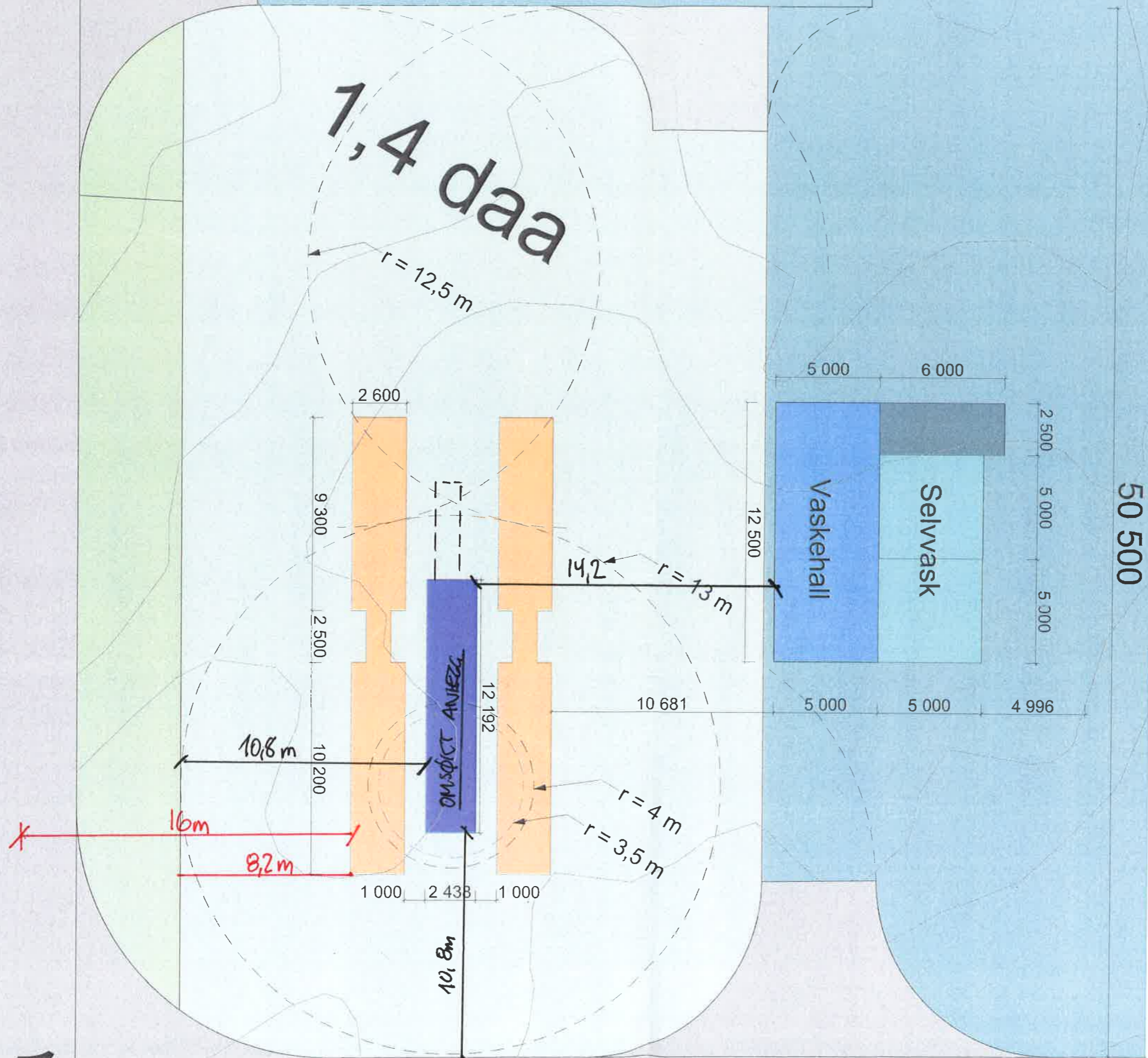


- Equipment for Diesel chambers:
- S1 - Manway DN600
 - S2-D - Filling pipe DN50 - Diesel + overfilling valve DN50 (Self Climat) + ball valve DN50 + connection TW DN50 (brass)
 - S2-P - Filling pipe DN50 - Petrol + overfilling valve DN50 (Self Climat) + ball valve DN50 + connection TW DN100 (brass)
 - S3 - Suction pipe DN50 + ball valve + Antisiphon valve
 - S4 - Venting pipe DN50 - Diesel
 - S5 - Venting pipe DN60 - Petrol + venting valve
 - S6 - Overflow pipe DN50
 - S7 - Vapour return pipe (VRS) DN50 + connection DN80 - Cistern
 - S9 - Leakage detection system socket DN25 for SGB DL 280
 - S10 - Muff for manual measurement DN50 + steel plug DN50 (in cover)
 - S11 - Socket for automatic measurement DN 50 + PE plug DN50 (in cover)
 - S12 - Vapour return pipe (VRS) DN15 - Dispenser
 - S13 - Drain pipe DN25 + ball valve
 - S15 - Muff 2" (DN50) + steel plug DN50 (in cover)
 - S18 - IN of separator DN50
 - S19 - OUT of separator DN100

TECHNICAL TANK DATA	
Norm	EN 12285-2
Class	A
Medium	Diesel / Petrol
Diameter	2500
Working pressure	non pressure
Working temperature	-20 / +60 °C
Detection system	acc. EN 13180
Leak proof test	
Inside tank	0,3 bar
Outside tank	0,4 bar
Outside paint	C5M RAL 9010
Inside paint	Temaline TL



	Nazwisko / Name	Data / Date	Podpis / Signature	Uwagi / Remarks	Skala / Scale
Konstruktoryj / Designed					
Sprawdzil / Checked					
Zatwierdzil / Approved					Formal A2
Tolerancje warsztatowe / Workshop tolerances	Rzutow / Projection	Norma materialowa / Material standard	Masa / Weight (kg)	Material / Material	Krawędzie / Edges
PN-EN ISO 2768-m			-11729	wg tabeli	ISO 13715 - 0,5
Tolerancje spawania / Welding tolerances	Koniec / Flange	Norma przedmiotowa / Objective standard	Nazwa / Title		
EN ISO 13920:1998 C/G	Objętość / Volume		Zbiornik naziemny dwupłaszczowy D2500, V=50m3		
Indeks: -			Aboveground, double wall tank D2500, V=50m3		
EKONSTAL Sp. z o.o. Sp. k.			Revizja / Revision	Nr rysunku / Drawing number	



Tiltakshaver
 ATR EIENDOM AS
 NORDHORDLAND
 NÆRINGS-PARK



NORDHORDLAND
 NÆRINGS-PARK

M = 1:200 A3