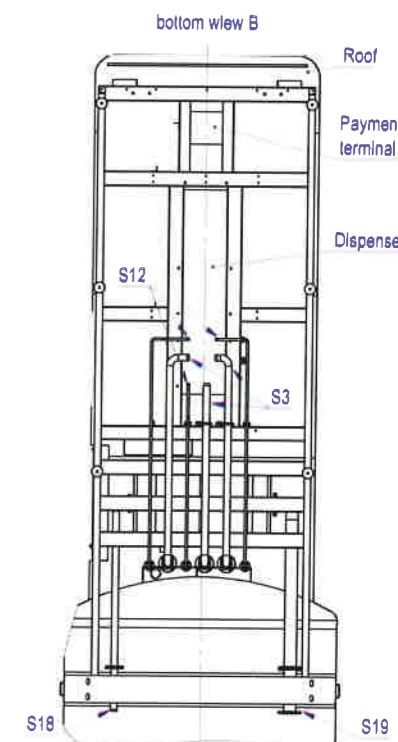
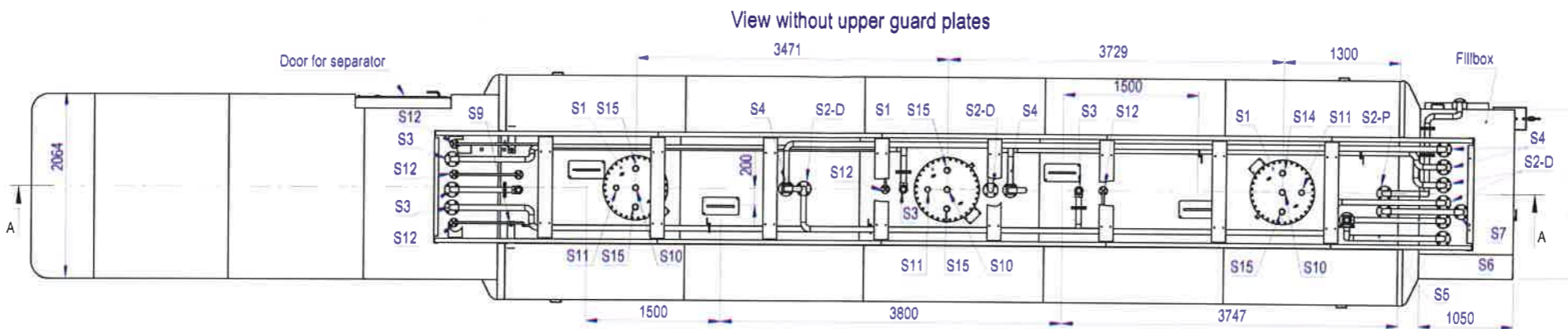
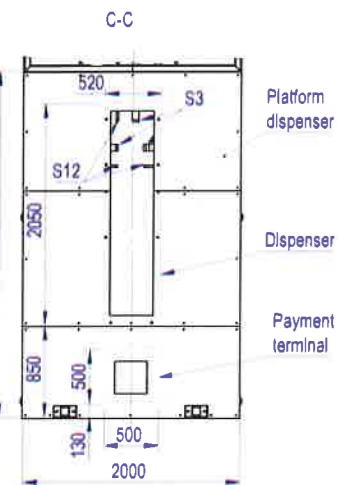
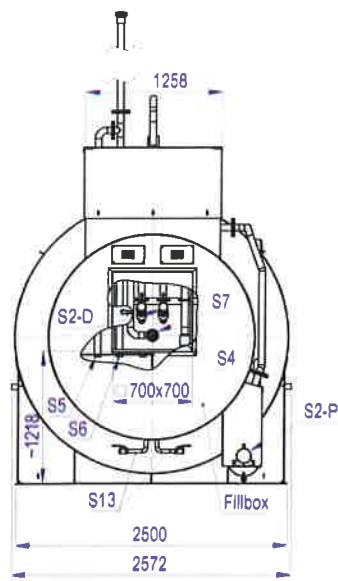
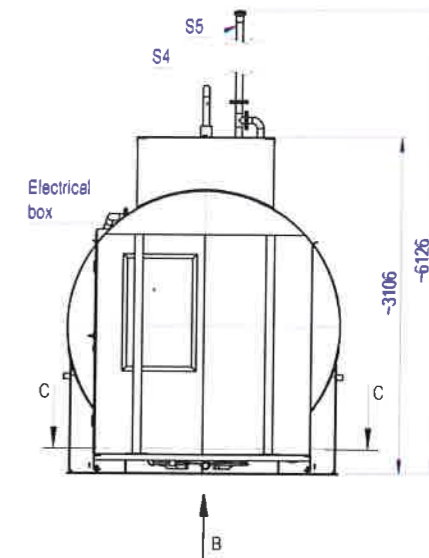
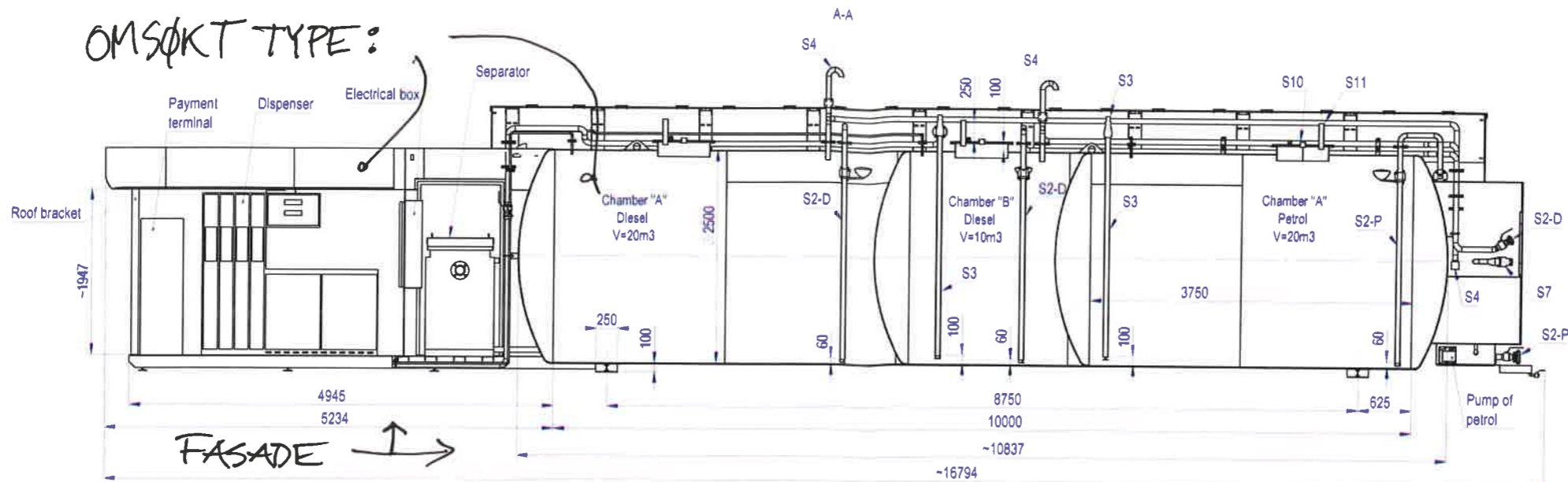
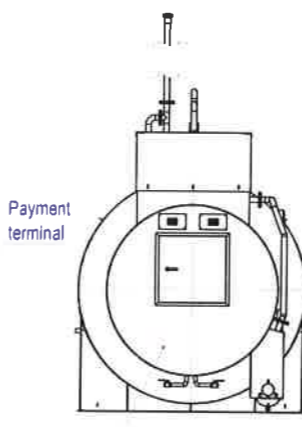
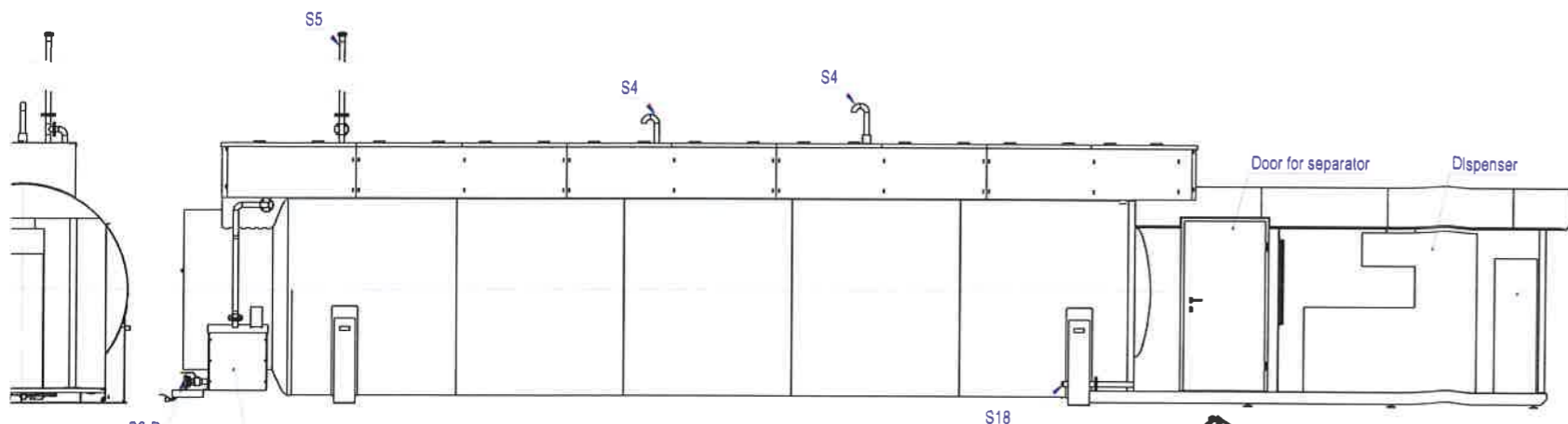


OMSOKT TYPE:

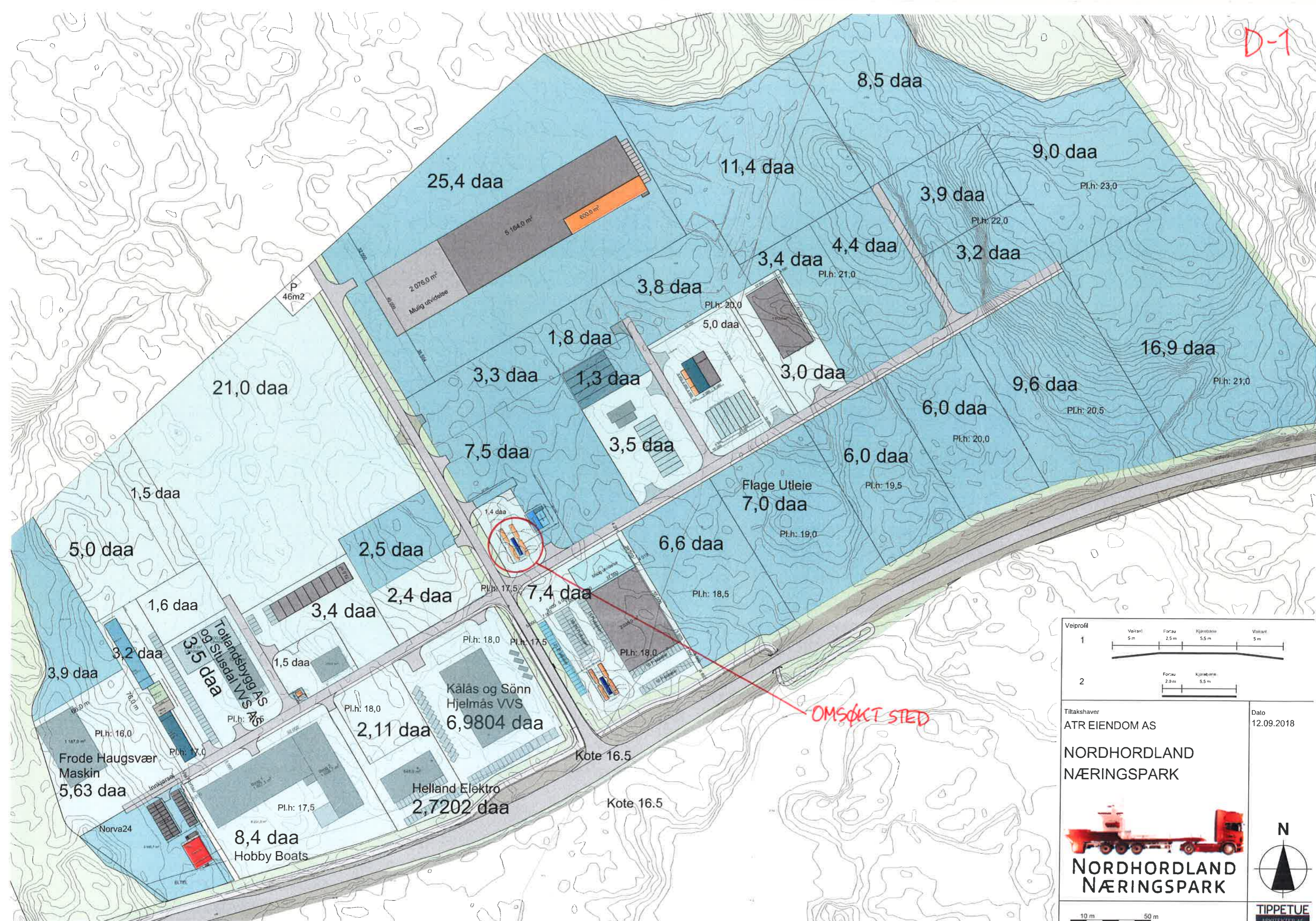


- Equipment for Diesel chambers:
- S1 - Manway DN600
 - S2-D - Filling pipe DN50 - Diesel + overfilling valve DN50 (Self Climat) + ball valve DN50 + connection TW DN50 (brass)
 - S2-P - Filling pipe DN50 - Petrol + overfilling valve DN50 (Self Climat) + ball valve DN50 + connection TW DN100 (brass)
 - S3 - Suction pipe DN50 + ball valve + Antisiphon valve
 - S4 - Venting pipe DN50 - Diesel
 - S5 - Venting pipe DN60 - Petrol + venting valve
 - S6 - Overflow pipe DN50
 - S7 - Vapour return pipe VRS) DN50 + connection DN80 - Cistern
 - S9 - Leakage detection system socket DN25 for SGB DL 280
 - S10 - Muff for manual measurement DN50 + steel plug DN50 (in cover)
 - S11 - Socket for automatic measurement DN 50 + PE plug DN50 (in cover)
 - S12 - Vapour return pipe VRS) DN15 - Dispenser
 - S13 - Drain pipe DN25 + ball valve
 - S15 - Muff 2" (DN50) + steel plug DN50 (in cover)
 - S18 - IN of separator DN50
 - S19 - OUT of separator DN100

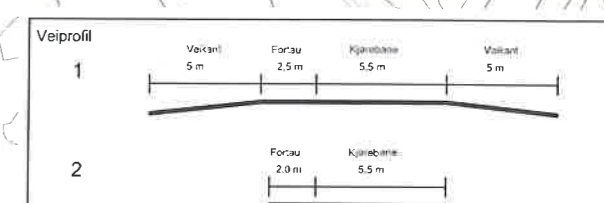
TECHNICAL TANK DATA	
Norm	EN 12285-2
Class	A
Medium	Diesel / Petrol
Diameter	2500
Working pressure	non pressure
Working temperature	-20 / +60 °C
Detection system	acc. EN 13180
Leak proof test	Inside tank 0,3 bar
	Outside tank 0,4 bar
Outside paint	C5M RAL 9010
Inside paint	Temaline TL



	Nazwisko / Name	Data / Date	Podpis / Signature	Uwagi / Remarks	Skala / Scale
Konstruktoryj / Designed					Formal A2
Skontrolowany / Checked					
Zatwierdzony / Approved					Arkusz Sheet 1/2
Tolerancje warsztatowe / Workshop tolerances PN-EN ISO 2768-m	Ryżow / Projector		Norma materiałowa / Material standard	Masa / Weight (kg) -11729	
Tolerancje spawania / Welding tolerances EN ISO 13920:1998 C/G	Kowalec / Forge		Norma przedmiotowa / Objective standard	Materiał / Material wg tabeli	
Indeks: -				Nazwa / Title Zbiornik naziemny dwupłaszczowy D2500, V=50m3 Aboveground, double wall tank D2500, V=50m3	
EKONSTAL Sp. z o.o. Sp. k.				Revizja / Revision	Nr rysunku / Drawing number



OMSØKT STED



Tiltakshaver
 ATR EIENDOM AS

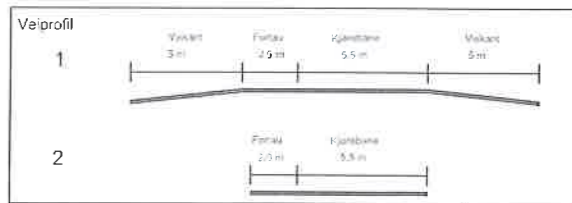
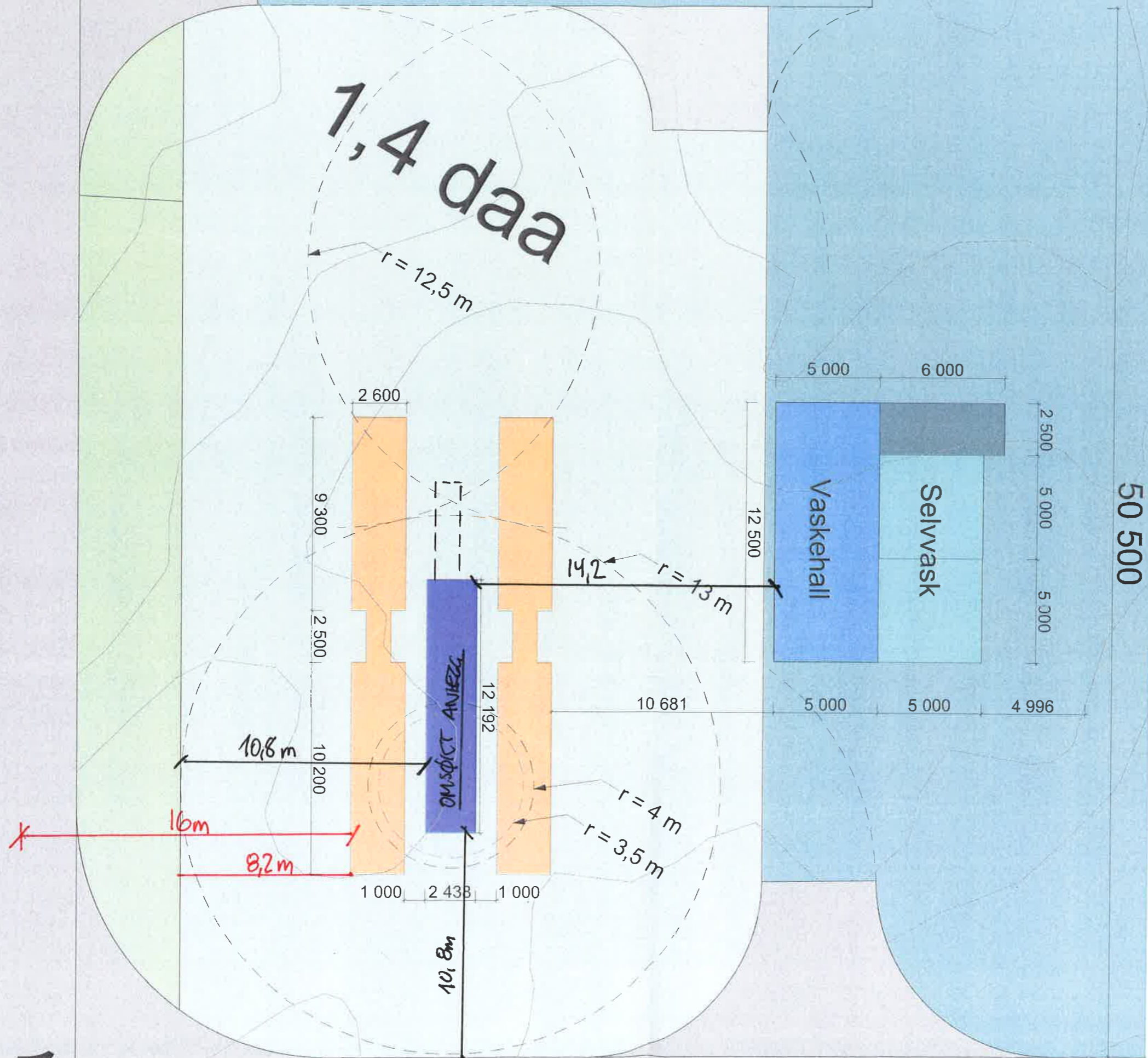
Dato
 12.09.2018

NORDHORDLAND NÆRINGS-PARK

NORDHORDLAND NÆRINGS-PARK

10 m 50 m

TIPPETUE
 ARKITEKTER AS



Tiltakshaver
 ATR EIENDOM AS
 NORDHORDLAND
 NÆRINGS-PARK

