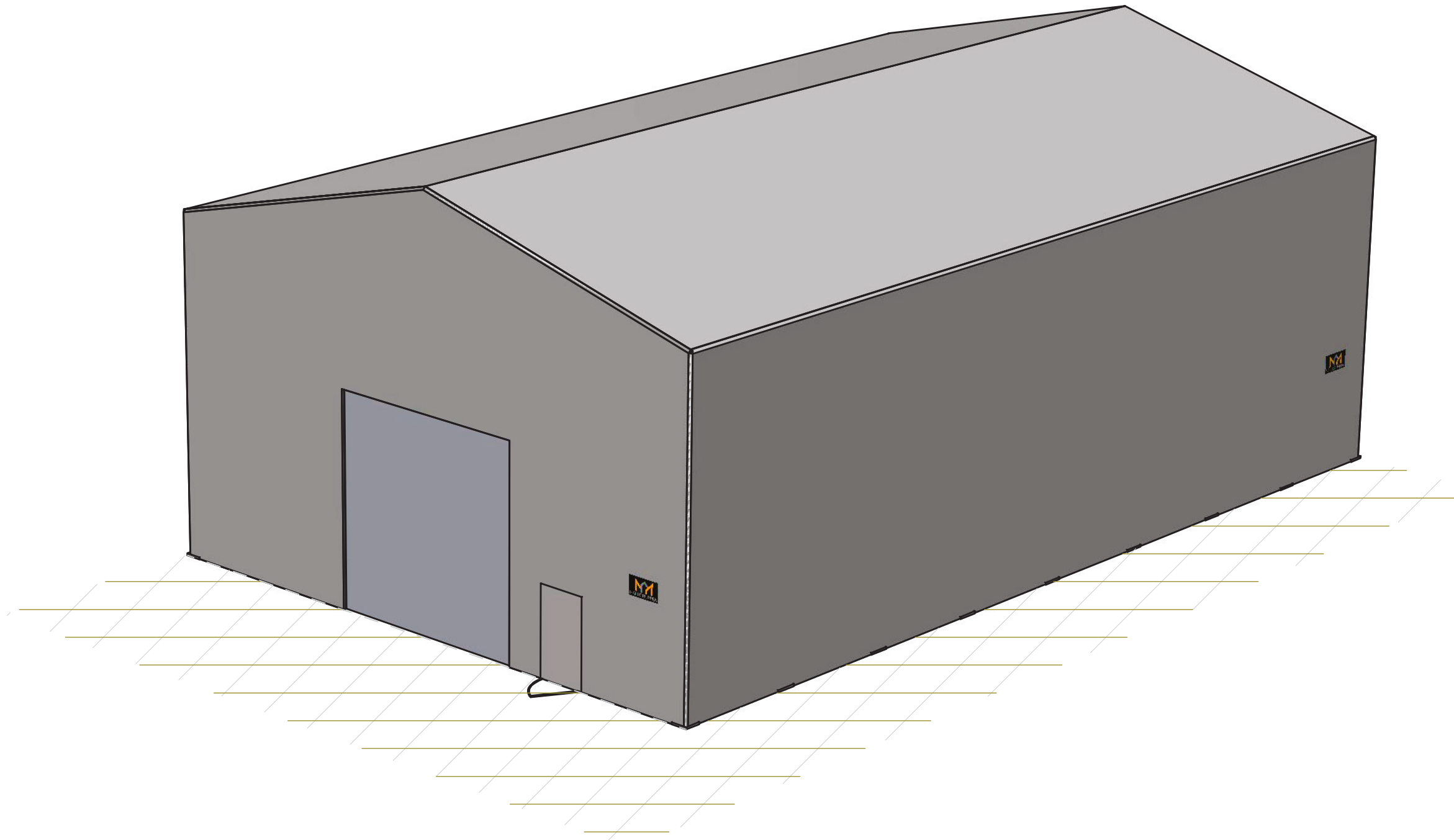


ILLUSTRATION OF  
Nortrans Veg og  
Anlegg AS's  
HALL 15/8 x 24m



The drawing shall not be copied or be giving  
third party without Hallgruppen's consent

Rev Date:	5 / 7 / 2019
Rev By:	AMP
CUSTOMER:	Nortrans Veg og Anlegg AS
ADDRESS:	
GNR / BNR:	137 / 772



Title:  
Byggesakstegning / Bygglovsriting  
HALL 15/8 x 24m  
Illustation

Drawing no: <b>HGP15/8-BS</b>	
Sheets: 4 of 4	Rev no: <b>1</b>