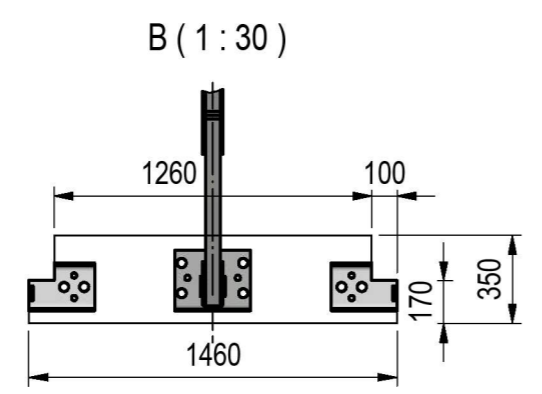
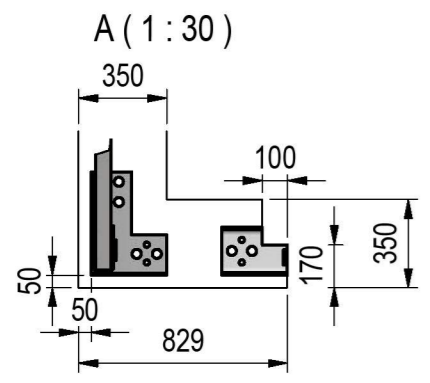
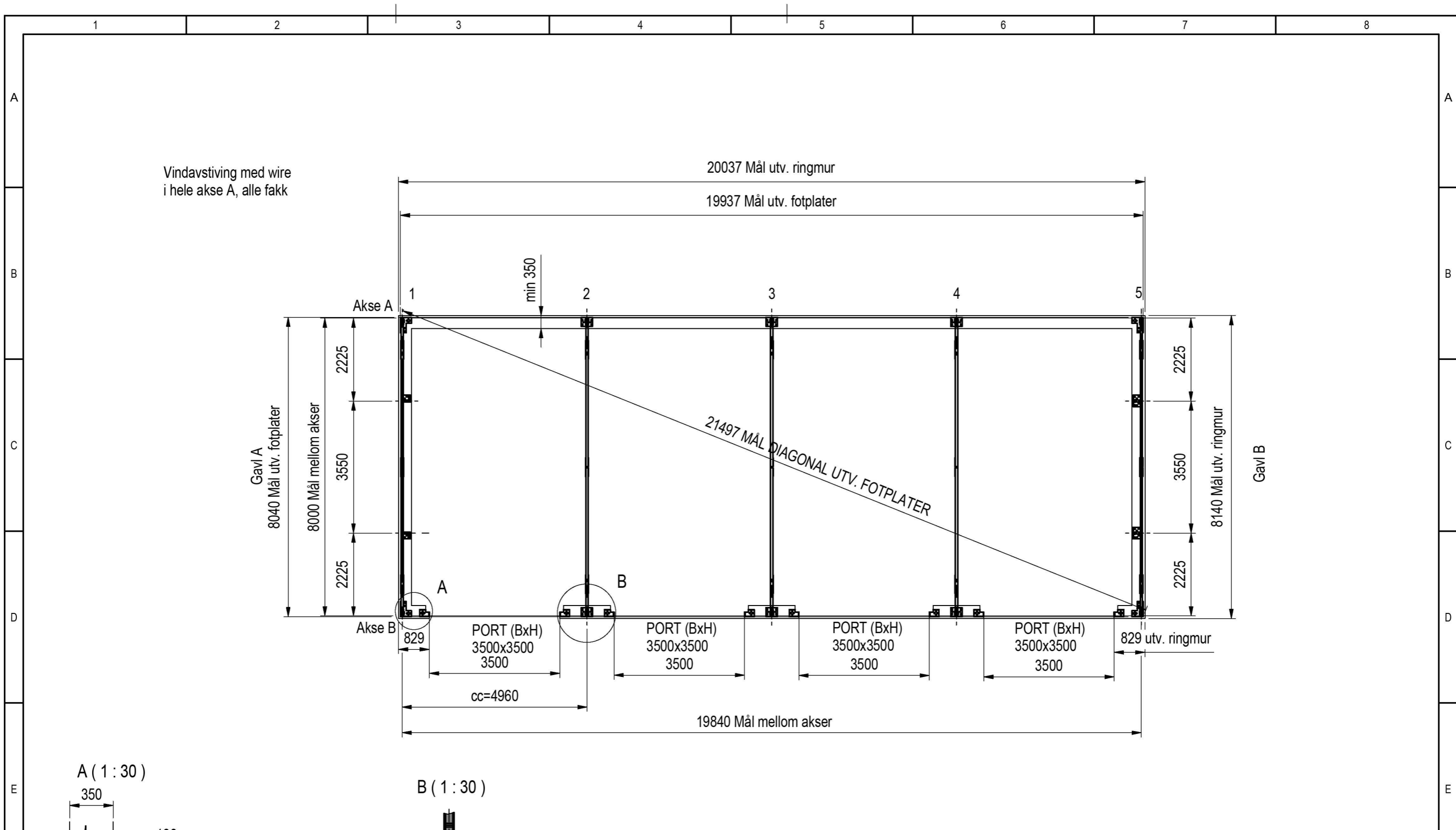


The drawing shall not be copied,
be giving third party without
O.B.Wiik's consent.



Notes:
Ved hall montert på betong/ringmur, skal bredden og lengden være 100mm større en mål utside fotplater.
Min. betongtykkelse i området med fotplateforankring må være 250mm.

Structural calculations:	
Replaced by:	
Replaces:	Scale: 1 : 100
Tot weight:	Rev: 2
Sheets: 1 av 4	



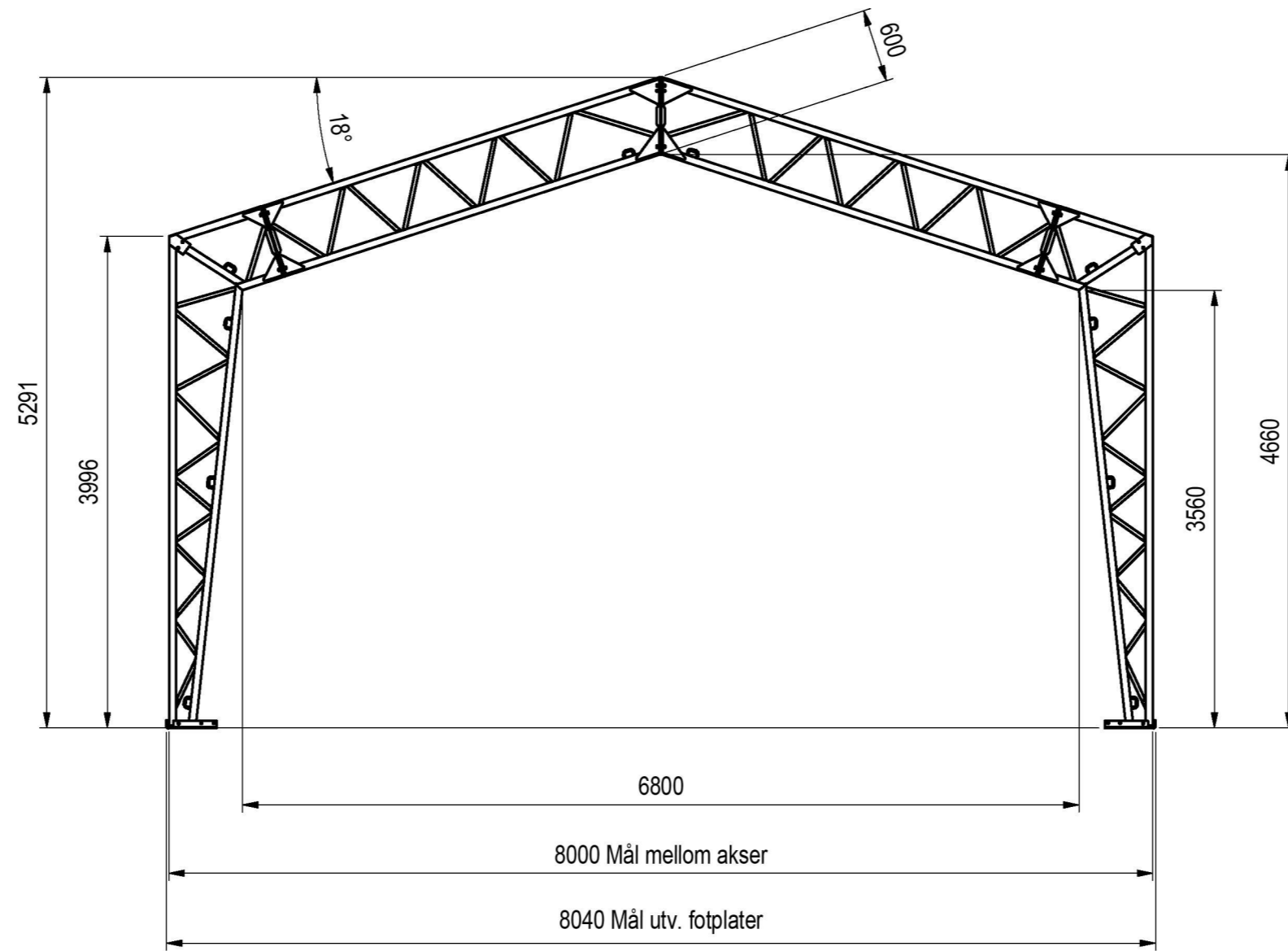
Title:
WiikHall, KJ 8x4x20 cc5m
Tiltak: Melding for Gnr 176 Bnr 25
Adresse
Plantegning

Drawing no:
KJ8x4x20 NO176545

Rev no	Rev date	Reason for issue	Prepared by	Checked by
2	11.11.2019	Ringmur oppdatert	MSF	
2	29.10.2019	Byggesakstegning	MSF	

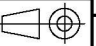
Tolerances in general in accordance with NS ISO 2768 - Medium

The drawing shall not be copied,
be giving third party without
O.B.Wiik's consent.



Tolerances in general in accordance with NS ISO 2768 - Medium

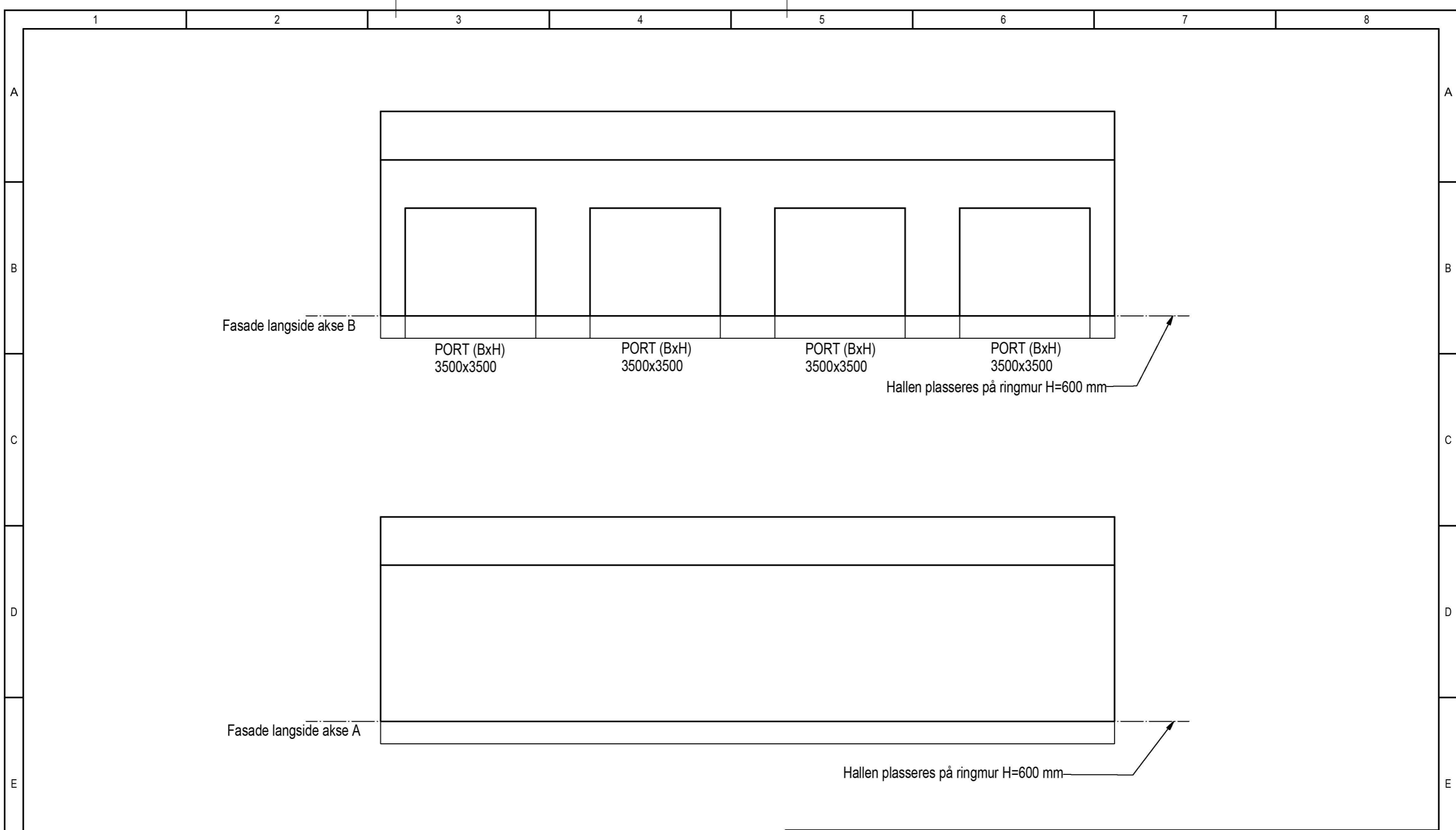
Rev no	Rev date	Reason for issue	Prepared by	Checked by
2	29.10.2019	Byggesakstegning	MSF	

Notes:		Structural calculations:	
		Replaced by:	
		Replaces:	Scale: 1 : 50
		Tot weight:	Rev: 2
		Sheets: 2 av 4	
		Drawing no: KJ8x4x20 NO176545	



Title:
WiikHall, KJ 8x4x20 cc5m
Tiltak: Melding for Gnr 176 Bnr 25
Adresse
SNITT

The drawing shall not be copied,
be giving third party without
O.B.Wiik's consent.



Tolerances in general in accordance with NS ISO 2768 - Medium

Rev no	Rev date	Reason for issue	Prepared by	Checked by
2	29.10.2019	Byggesakstegning	MSF	

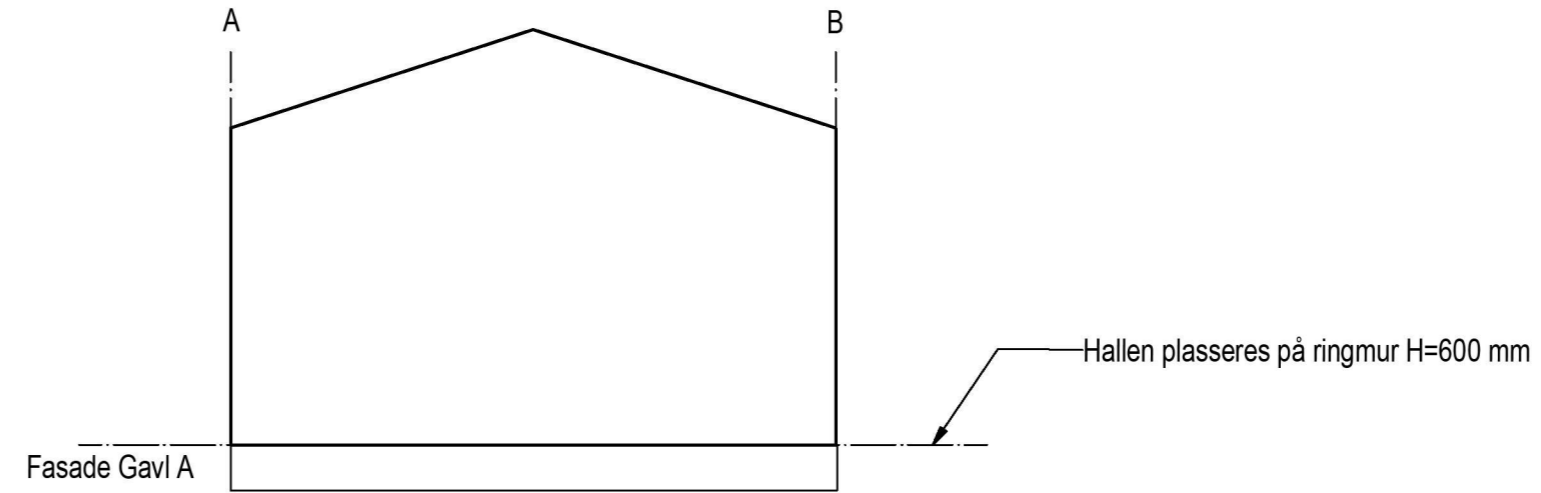
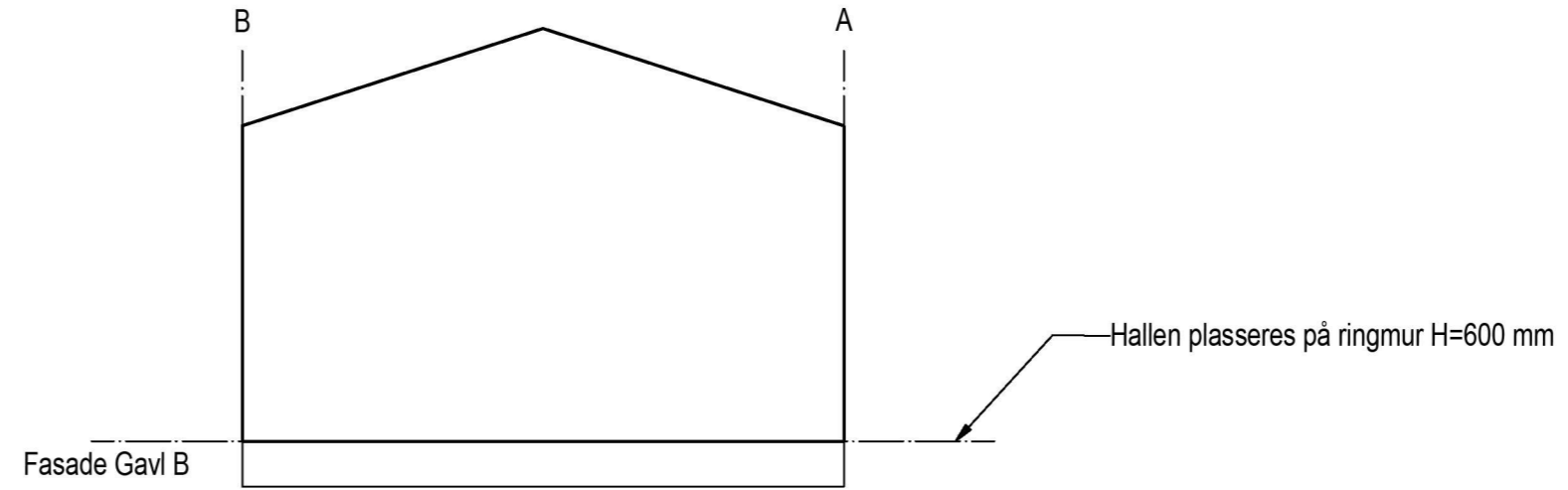
Notes:



Title:
WiikHall, KJ 8x4x20 cc5m
Tiltak: Melding for Gnr 176 Bnr 25
Adresse
Fasadetegning langsider

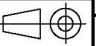
Structural calculations:		
Replaced by:		
Replaces:	Scale: 1 : 100	
Tot weight:	Sheets: 3 av 4	Rev: 2
Drawing no: KJ8x4x20 NO176545		

The drawing shall not be copied,
be giving third party without
O.B.Wiik's consent.



Tolerances in general in accordance with NS ISO 2768 - Medium

Rev no	Rev date	Reason for issue	Prepared by	Checked by
2	29.10.2019	Byggesakstegning	MSF	

Notes:		Structural calculations:	
		Replaced by:	
		Replaces:	Scale: 1 : 100
		Tot weight:	Rev: 2
		Sheets: 4 av 4	
		Drawing no: KJ8x4x20 NO176545	



Title:
WiikHall, KJ 8x4x20 cc5m
Tiltak: Melding for Gnr 176 Bnr 25
Adresse
Fasadetegning gavl A og B