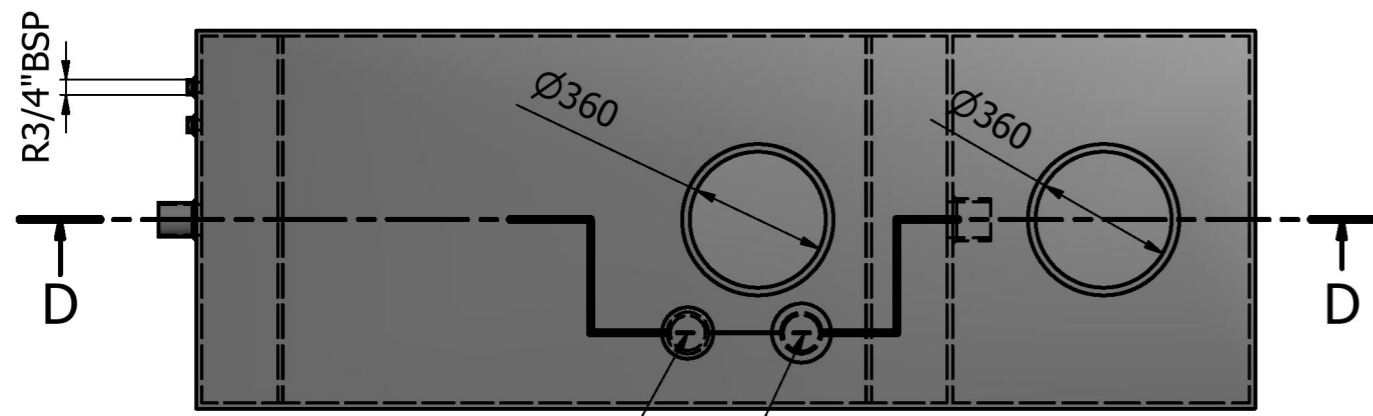
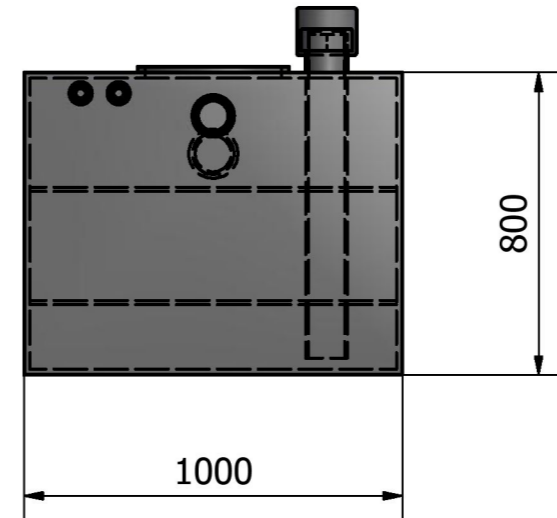
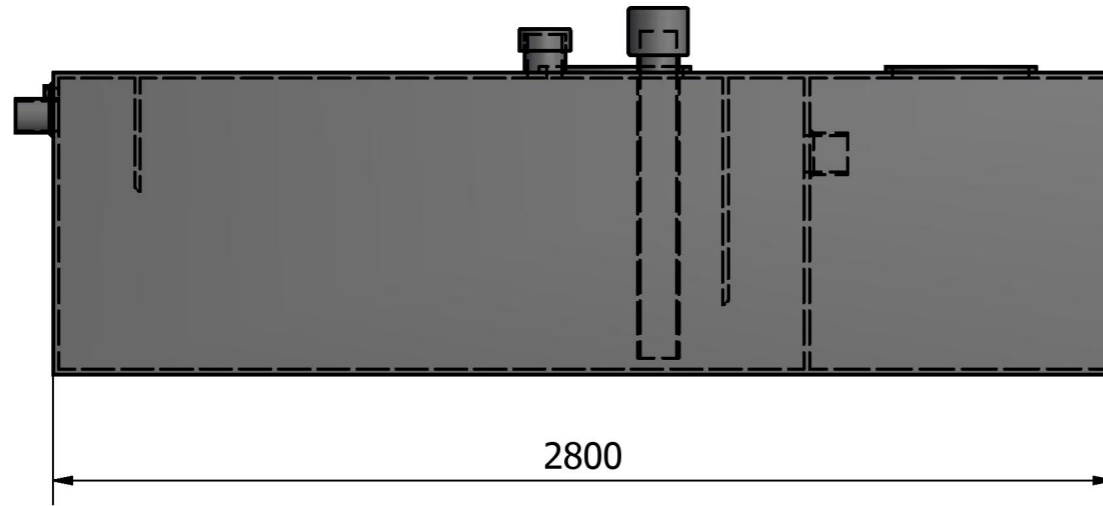
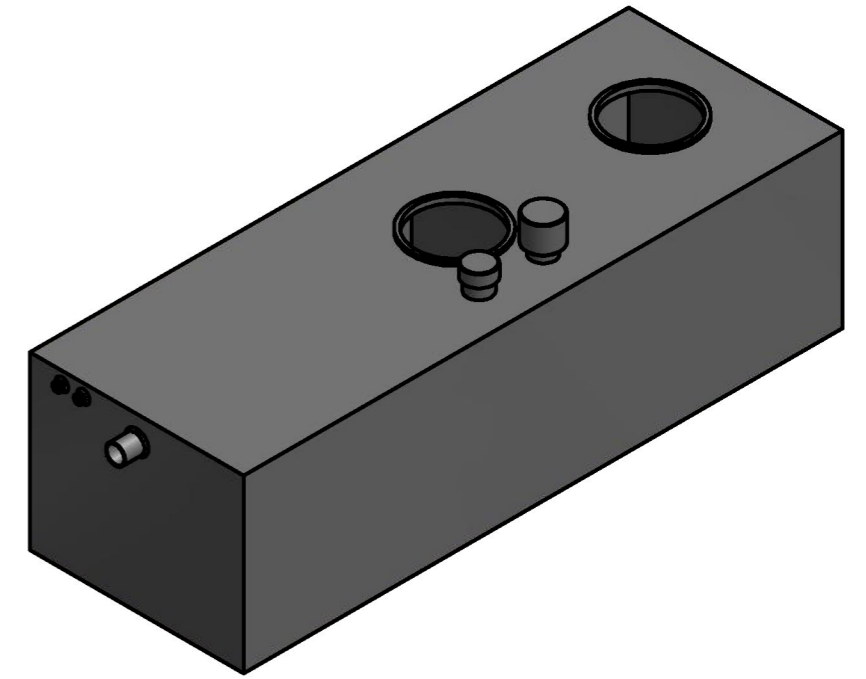
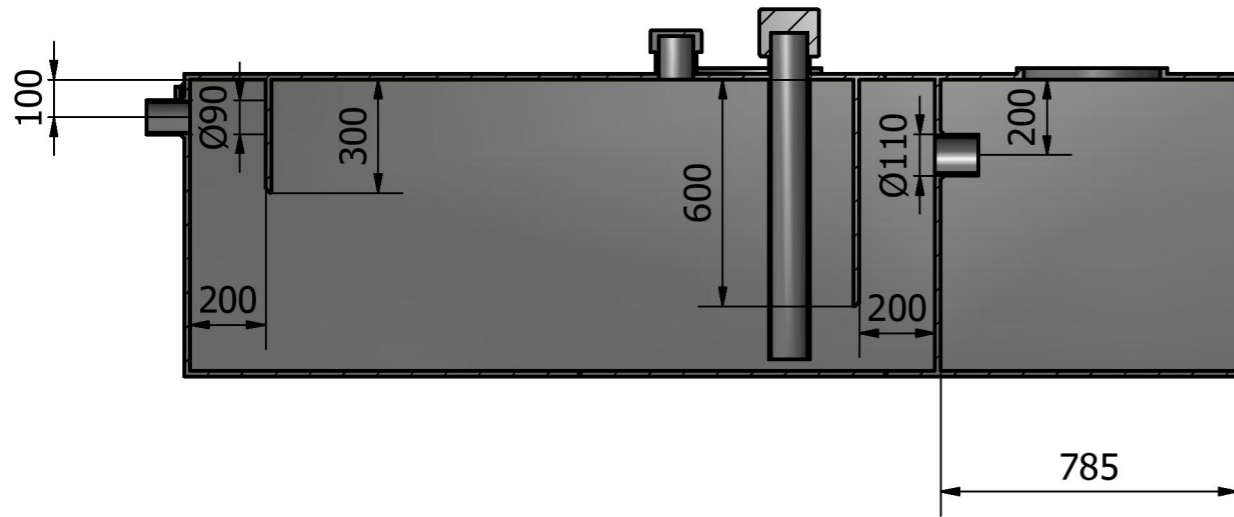



D-D (1 : 20)



4" lufting
4" sugerør m/slangekobling

This drawing is the property of Plastinvent.
It must not be copied or divulged to any unauthorized
third party without written authorization from Plastinvent.
The receipt of the drawing implies that the conditions as
mentioned herein are accepted.

Designed by Ø.V.	Checked by S.H.	Approved by S.H.	Date 04.08.2015	Date 04.08.2015	
			Fettutskiljar		
			Tank	Edition	Sheet 1 / 1