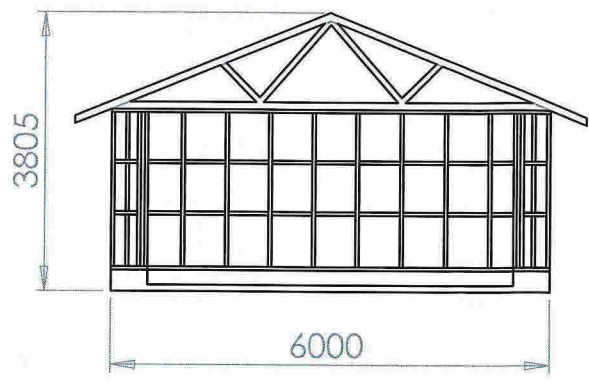
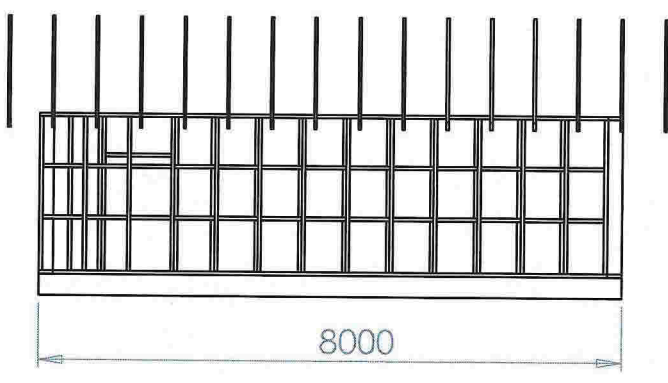
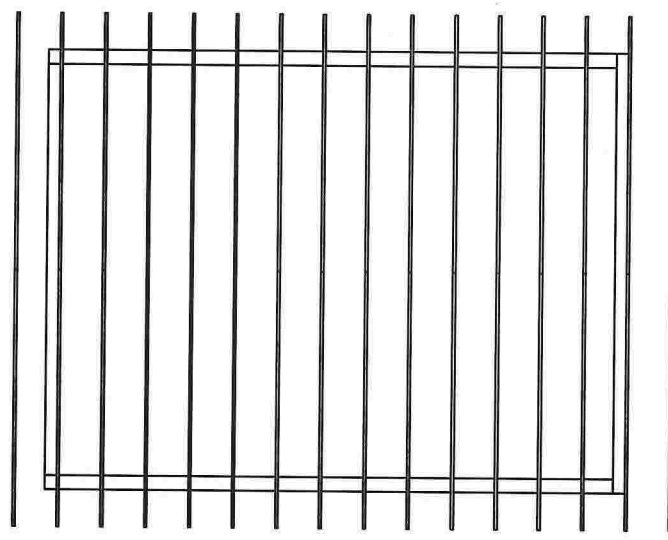
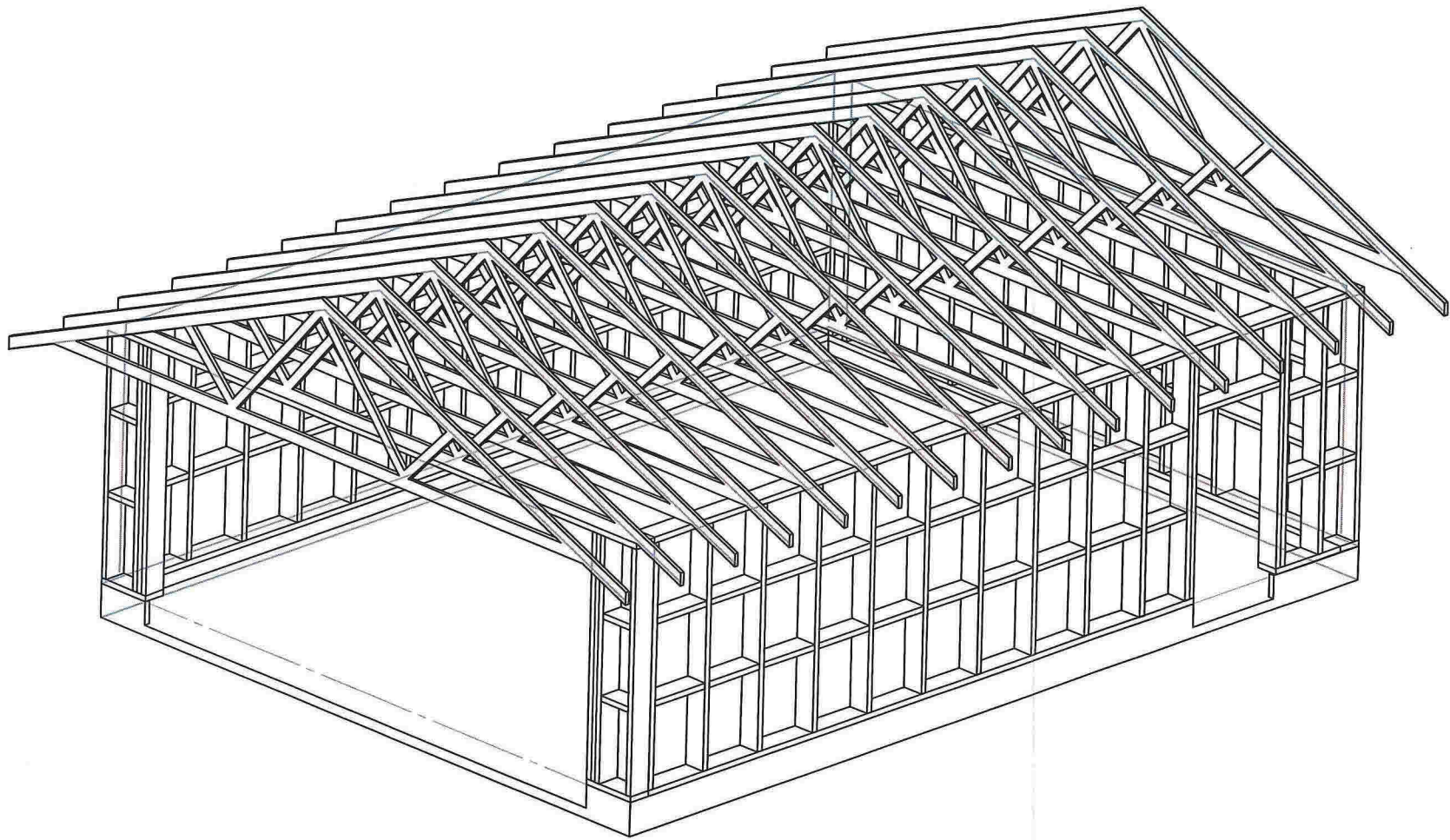
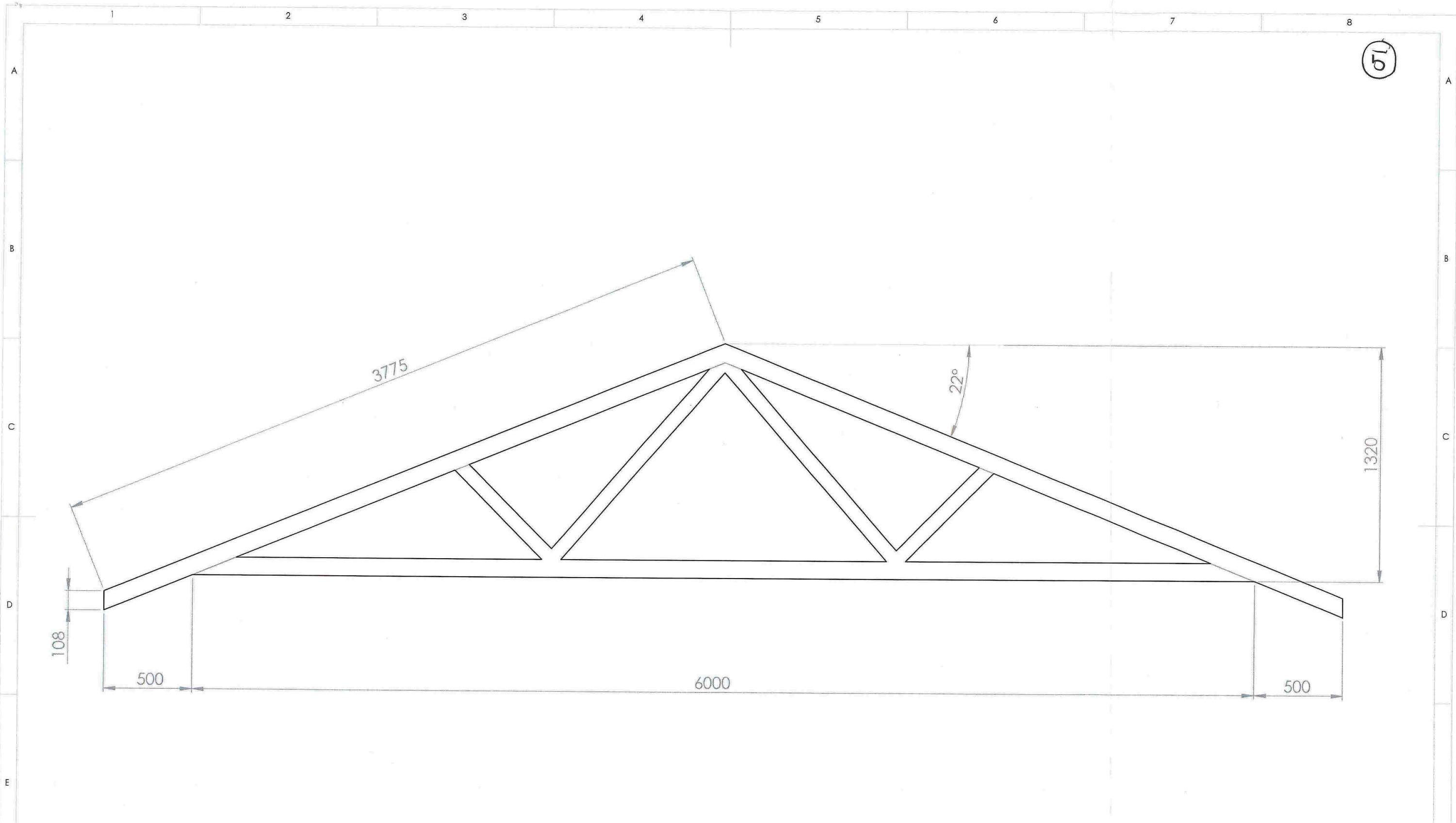


4

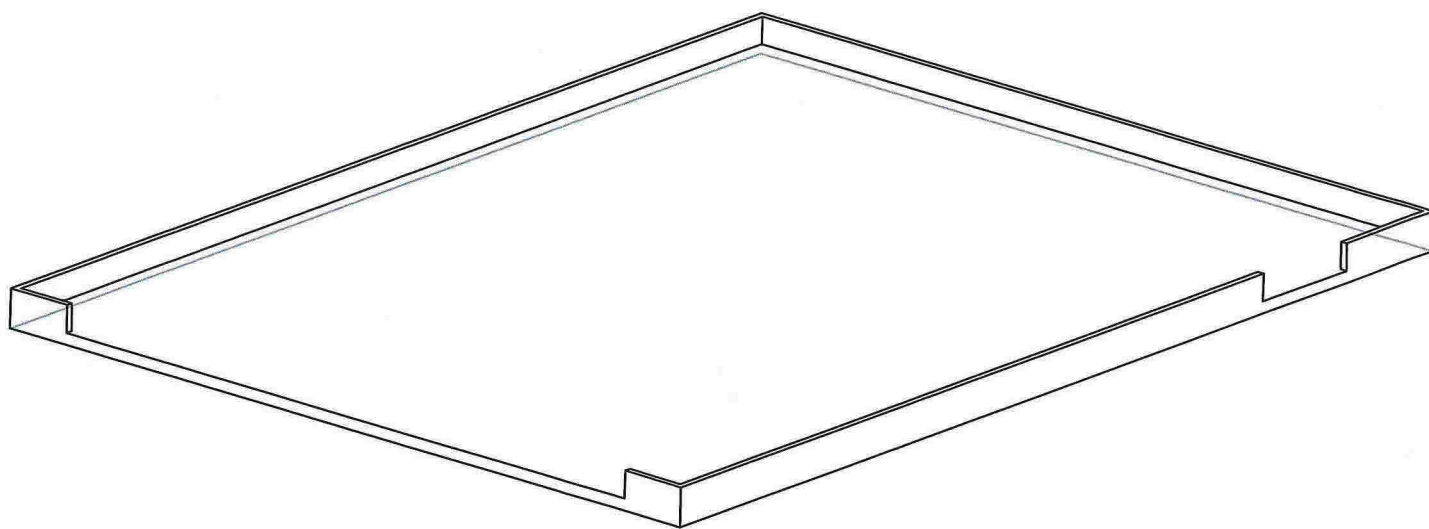
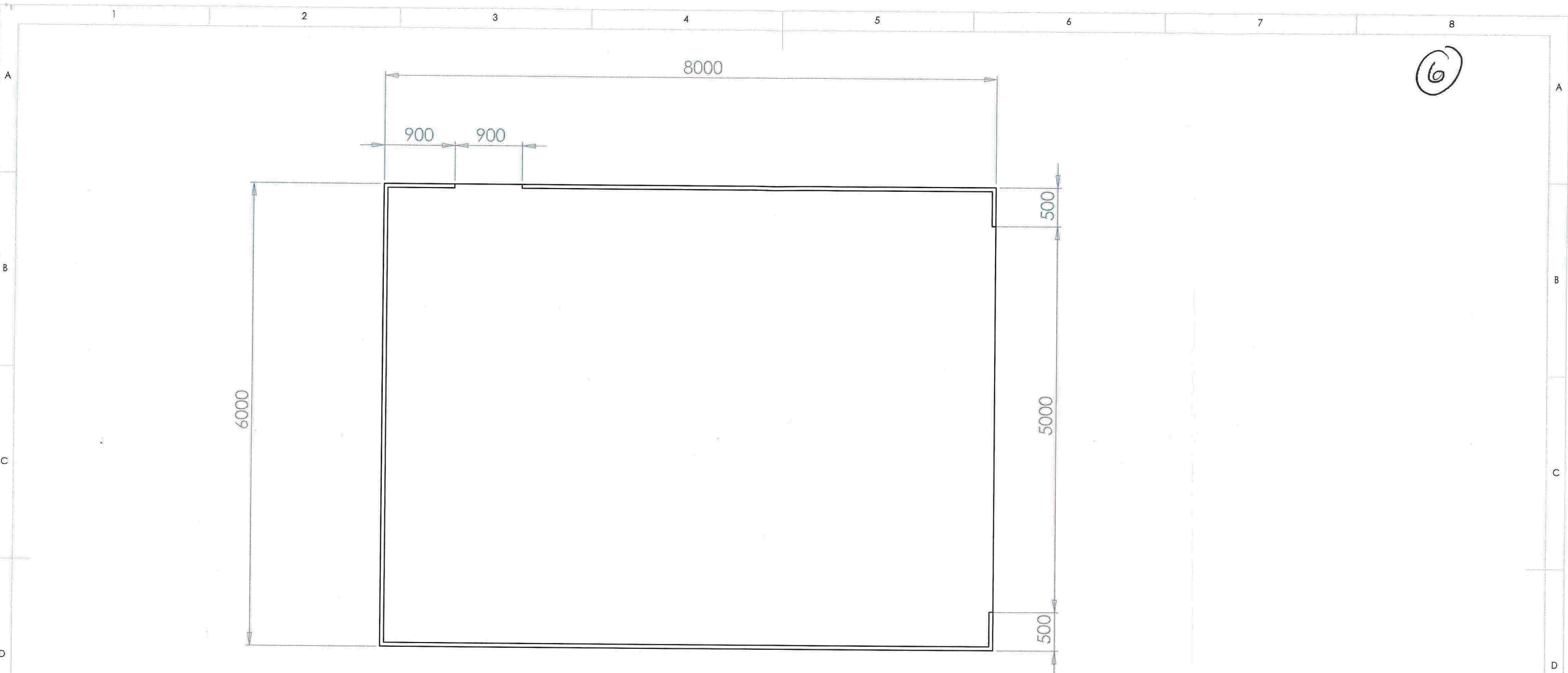


UNLESS OTHERWISE SPECIFIED: DIMENSIONS ARE IN MILLIMETERS SURFACE FINISH: TOLERANCES: LINEAR: ANGULAR:			FINISH:	DEBUR AND BREAK SHARP EDGES	DO NOT SCALE DRAWING	REVISION
DRAWN	NAME	SIGNATURE	DATE		TITLE: Bustølvegen 80 5918 Frekhaug 1256-24/46	
CHK'D					DWG NO. <b>Garasje</b>	
APPV'D				MATERIAL:	SCALE: 1:100	
MFG				WEIGHT:	SHEET 1 OF 1	
Q.A					A3	

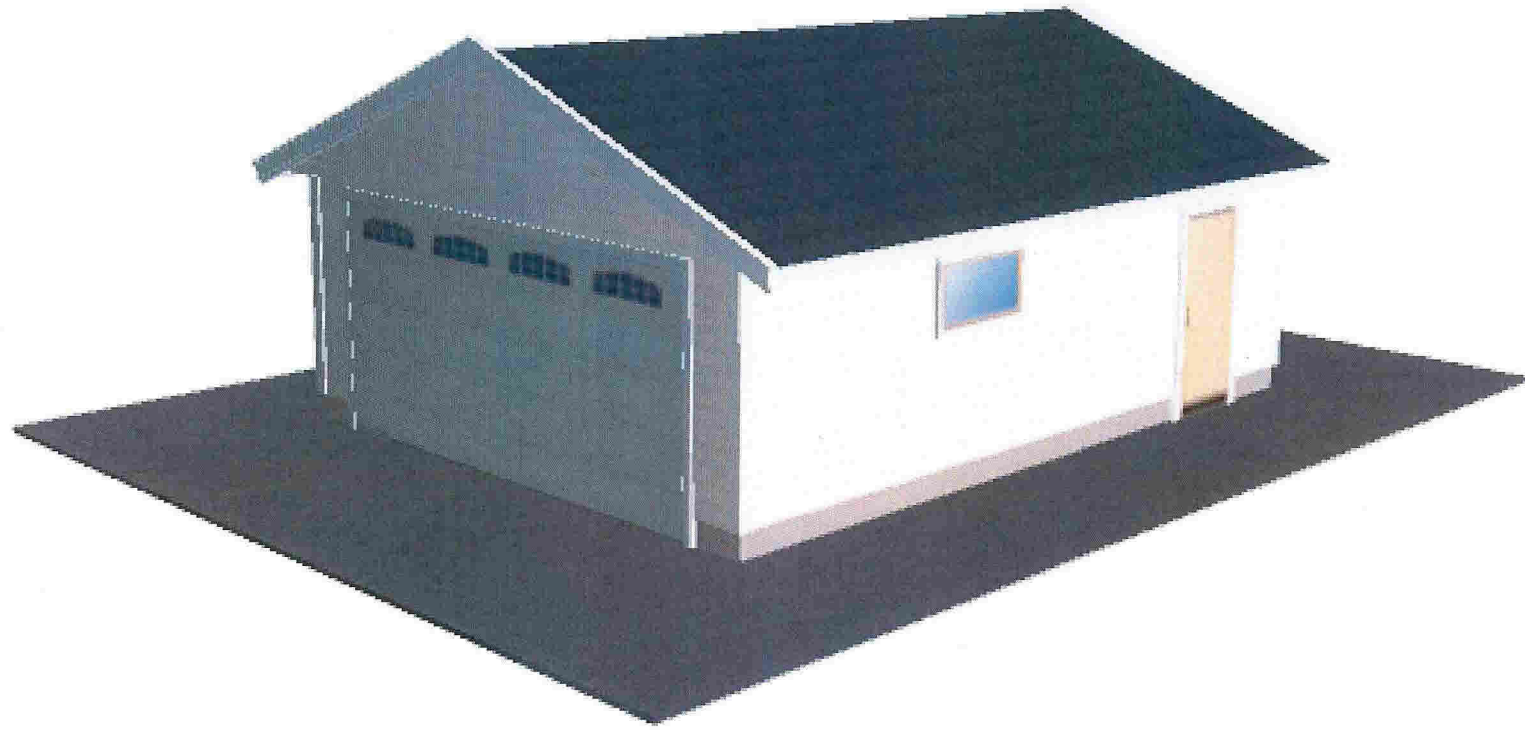
51



UNLESS OTHERWISE SPECIFIED: DIMENSIONS ARE IN MILLIMETERS		FINISH:		DEBUR AND BREAK SHARP EDGES		DO NOT SCALE DRAWING		REVISION	
TOLERANCES: LINEAR: ANGULAR:									
DRAWN		NAME		SIGNATURE		DATE		TITLE:	
CHK'D								Bustølvegen 80	
APP'VD								5918 Frekhaug	
MFG								1256-24/46	
Q.A						MATERIAL:		DWG NO.	
								TAKSTOL	
						WEIGHT:		SCALE:1:50	
								SHEET 1 OF 1	
								A3	



UNLESS OTHERWISE SPECIFIED: DIMENSIONS ARE IN MILLIMETERS		FINISH:		DEBUR AND BREAK SHARP EDGES		DO NOT SCALE DRAWING		REVISION	
SURFACE FINISH:									
TOLERANCES:									
LINEAR:									
ANGULAR:									
	NAME	SIGNATURE	DATE			TITLE:	Bustølvegen 80		
DRAWN							5918 Frekhaug		
CHK'D							1256-24/46		
APP'VD									
MFG									
Q.A					MATERIAL:	DWG NO.	baseplate		A3
					WEIGHT:	SCALE:1:100	SHEET 1 OF 1		



Garasje:

Audun Engesbak

Bustølvegen 80, 5918 Frekhaug

Gnr/Bnr = 1256-24/46

Telefon : 95768578

Epost : [audun.engesbak@gmail.com](mailto:audun.engesbak@gmail.com)

Bredde = 6meter  
Lengde = 8meter  
Tak= 22°  
Grunnflate = 48m<sup>2</sup>

