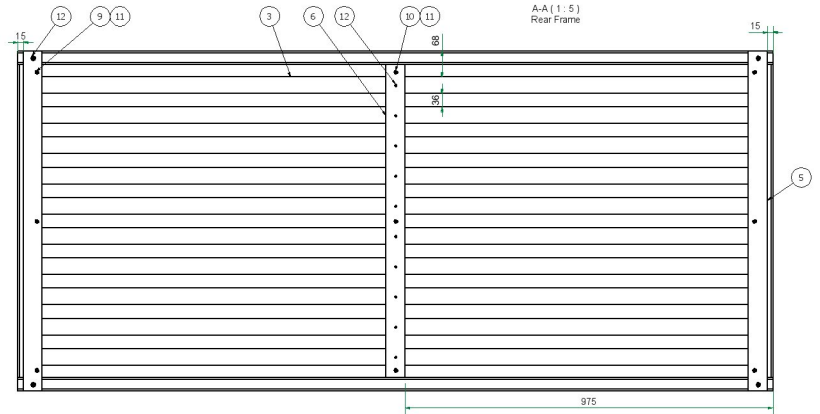
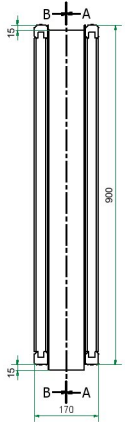
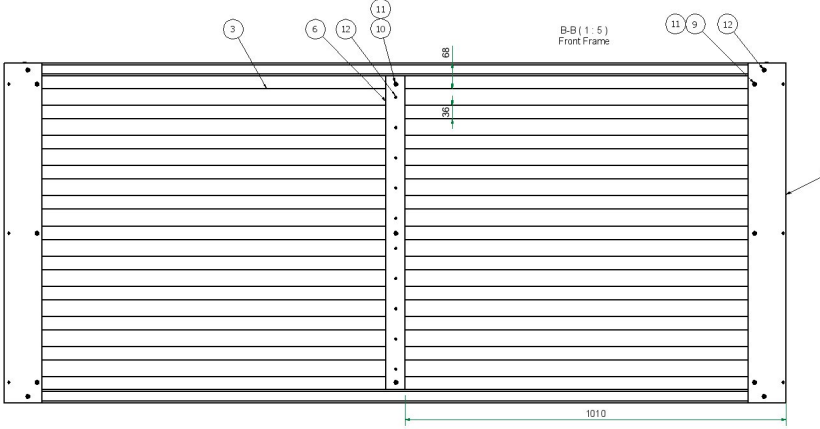
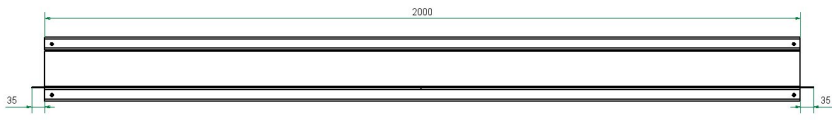


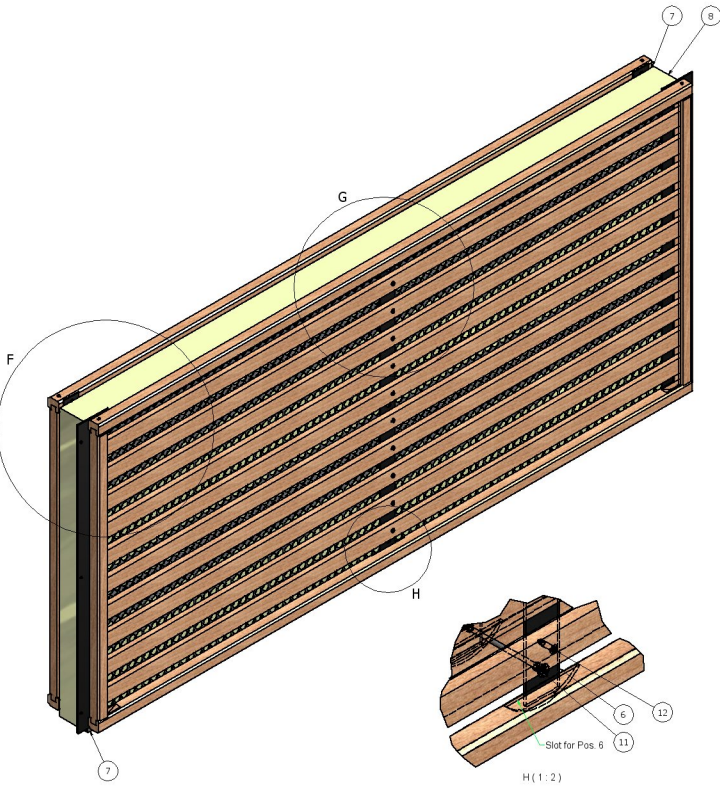
VIEW1 (1:5)



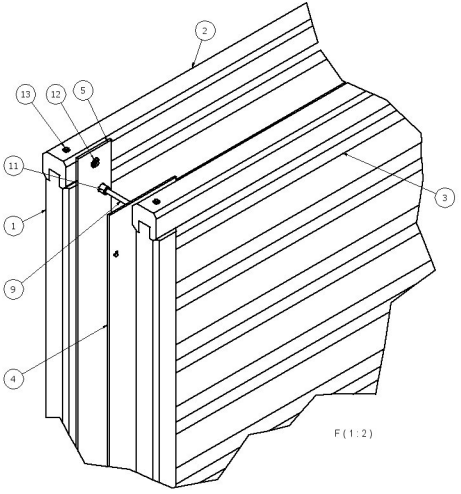
A-A (1:5)  
Rear Frame



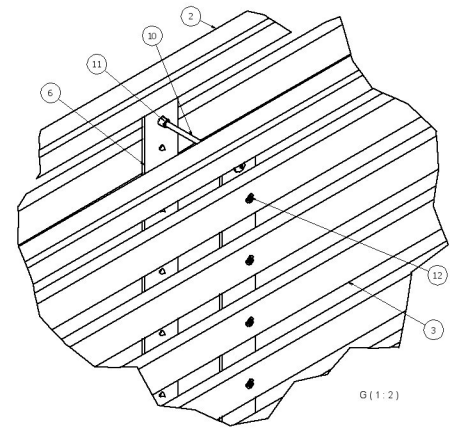
B-B (1:5)  
Front Frame



H (1:2)



F (1:2)



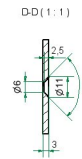
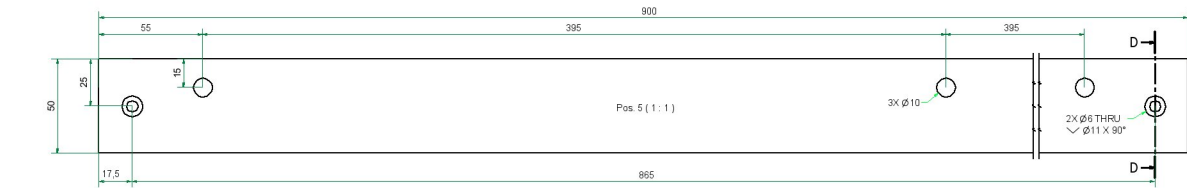
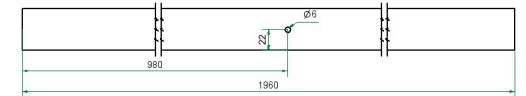
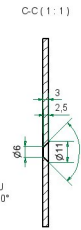
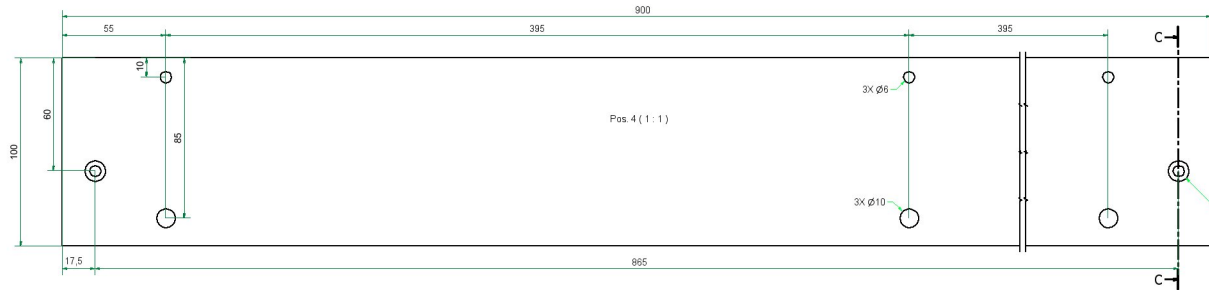
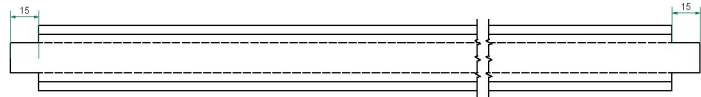
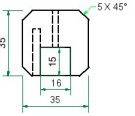
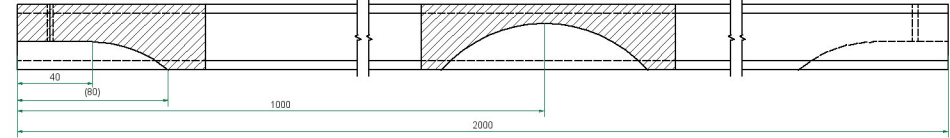
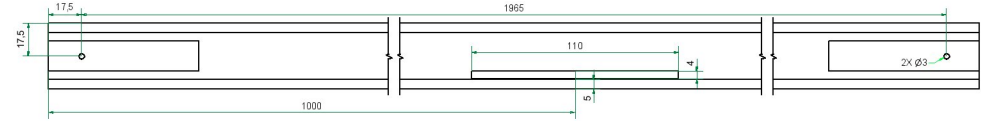
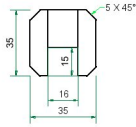
G (1:2)



Assembly to be secured with glue.

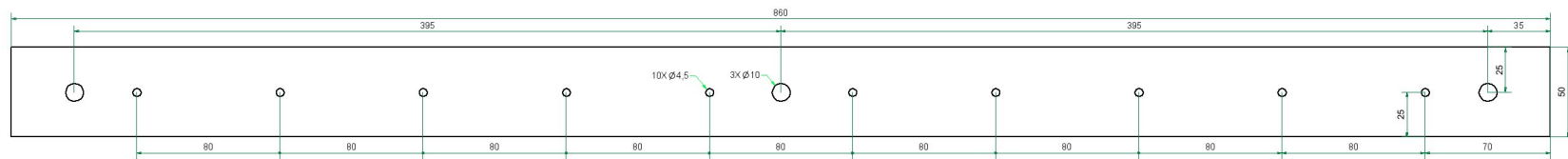
POS	QTY	DESCRIPTION	MATERIAL	kg
11	10	Black Hexagon Slat of 80x10x1100mm	Steel	0
10	2	Galvanized Thread 8x1100mm	Steel	0
9	1	Galvanized Thread 8x1100mm	Steel	0
8	1	Plastic Slat 2000x900mm	Plastic	20
7	2	Plastic Slat 2000x900mm	Plastic	0,7
6	2	Black Anodized Aluminum	Black Anodized Aluminum	0,3
5	2	Black Anodized Aluminum	Black Anodized Aluminum	0,4
4	2	Black Anodized Aluminum	Black Anodized Aluminum	0,7
3	20	Impregnated Slat 8x1100mm	Wood	0,9
2	4	Impregnated Lat 35x35x2000mm	Wood	3,3
1	4	Impregnated Lat 35x35x2000mm	Wood	4

NoiStop  
 NoiStop Wood element "Elba"  
 Noise fence against outdoor noise  
 PAPER SIZE: A0  
 SHEET: 1 OF 2  
 A0066-0050



Pos. 9 (2:1)

Pos. 10 (2:1)

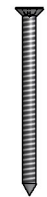


Pos. 8 (1:1)

Pos. 13 (2:1)

Pos. 11 (2:1)

Pos. 12 (2:1)



PRODOTTORE	MODELLO	DESCRIZIONE	REVISIONE	DATA	FOLIO
NoiStop	16-162012	HasStop Wood element "Ella"		16-162012	97/10
<p>Have fence signal outdoor noise</p>					
<p>Scale 1:1</p>			<p>Scale 2:1</p>		
<p>Scale 1:1</p>			<p>Scale 2:1</p>		
<p>Scale 1:1</p>			<p>Scale 2:1</p>		
<p>Scale 1:1</p>			<p>Scale 2:1</p>		
<p>Scale 1:1</p>			<p>Scale 2:1</p>		
<p>Scale 1:1</p>			<p>Scale 2:1</p>		
<p>Scale 1:1</p>			<p>Scale 2:1</p>		
<p>Scale 1:1</p>			<p>Scale 2:1</p>		

0066-0050 A